

TVS

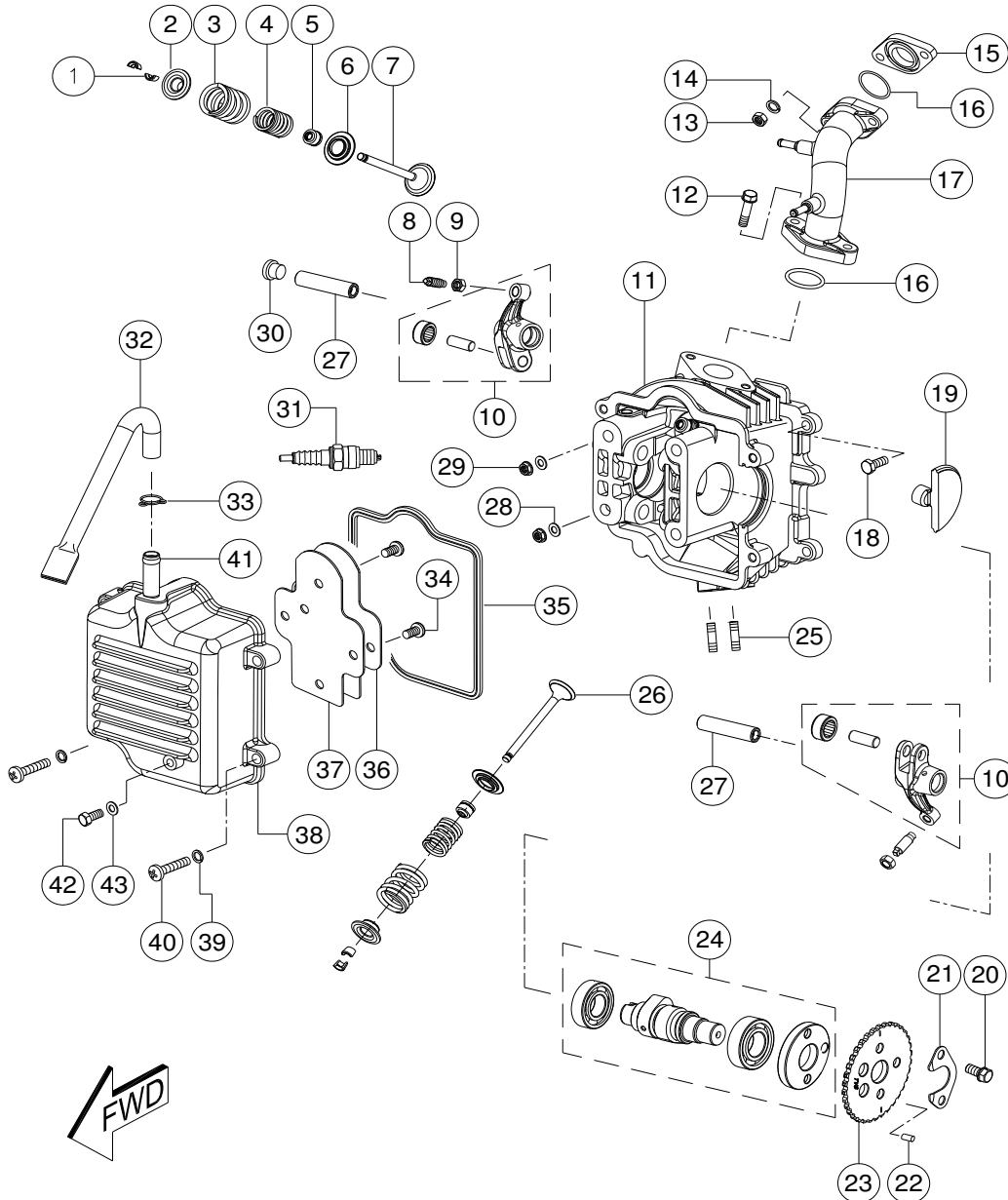
Scooty
STREAK

PARTS CATALOGUE



FIG.No. 01

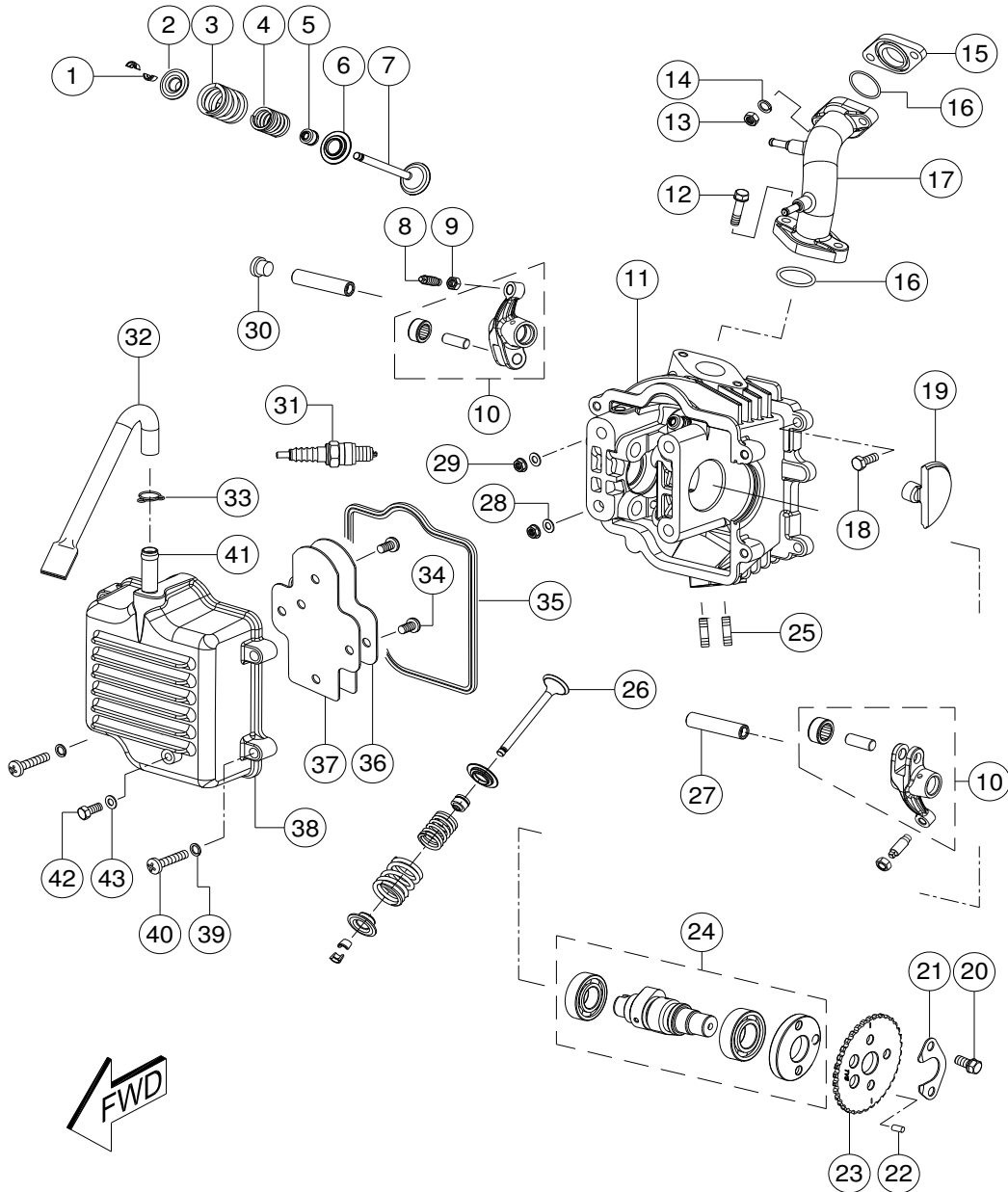
CYLINDER HEAD ASSEMBLY



SLNo.	PART No.	DESCRIPTION	QTY.	REMARKS
1	S1010320	COTTOR VALVE	4	*
2	N2011040	RETAINER VALVE SPRING	2	*
3	N2010350	SPRING VALVE OUTER	2	*
4	N2010340	SPRING VALVE INNER	2	*
5	N4011100	SEAL VALVE STEM OIL	2	*
6	K3010680	SEAT VALVE SPRING	2	*
7	K3010570	VALVE INTAKE	1	*
8	S1010240	SCREW TAPPET ADJUSTING	2	*
9	S1010250	NUT TAPPET ADJUSTING	2	*
10	K6010200	ARM COMP. VALVE ROCKER	2	*
11	K3011110	HEAD COMP. CYLINDER	1	*
12	S1200010	HEX FLANGE BOLT	2	
13	0334108	HEX NUT M6	2	
14	0335558	PUNCHED WASHER	2	
15	K3040060	INSULATOR PAD	1	
16	K3040180	O-RING PIPE INTAKE	2	*
17	K3040950	PIPE COMP. INTAKE	1	
18	420464700	HEX SCREW M6x16	2	
19	K3010590	STOPPER CAM SHAFT	1	*
20	M1200940	BOLT SPROCKET	2	
21	K3010600	PLATE SPROCKET	1	
22	M1010490	PIN SPROCKET	1	
23	K3010150	SPROCKET CAMSHAFT 32T	1	

FIG.No. 01

CYLINDER HEAD ASSEMBLY

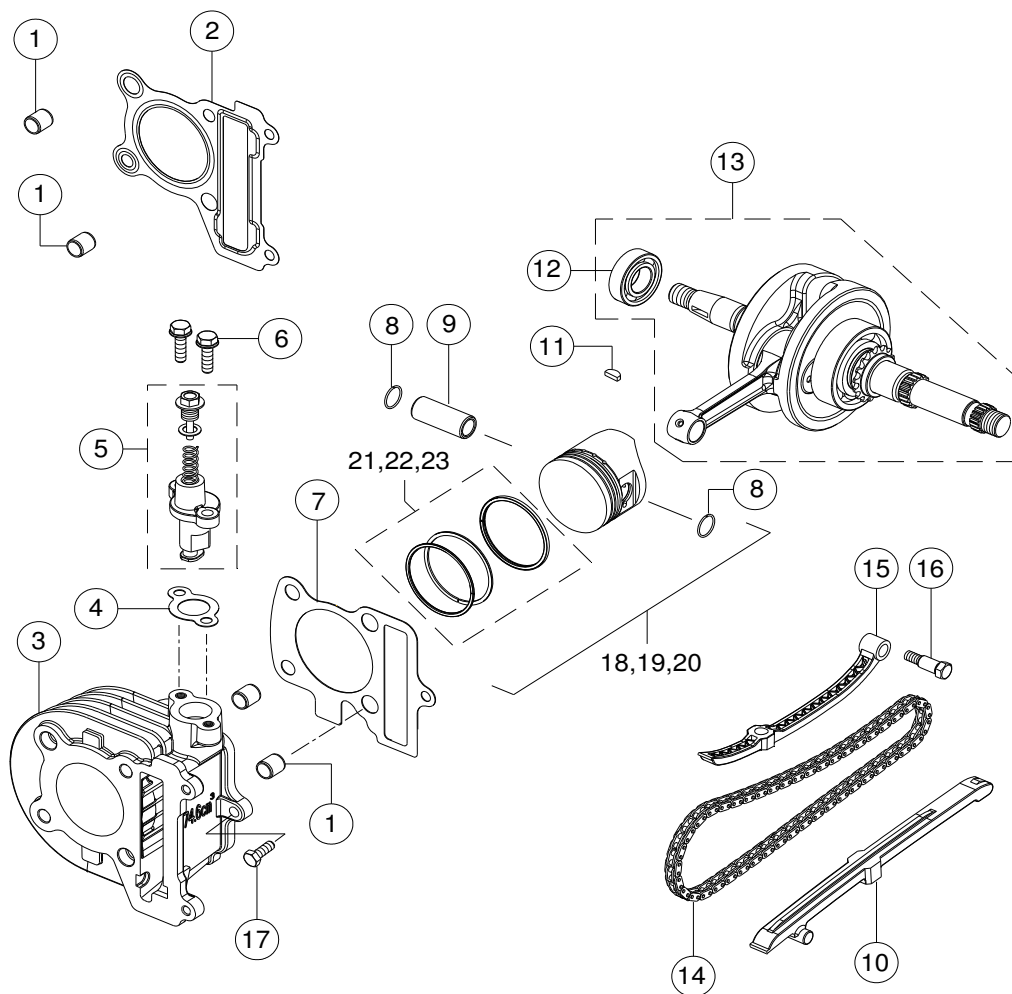


SLNo.	PART No.	DESCRIPTION	QTY.	REMARKS
24	K3011150	CAMSHAFT COMP.	1	
25	M1200780	STUD BOLT CYLINDER HEAD	2	
26	T4010690	VALVE EXHAUST	1	
27	T4010760	SHAFT ROCKER ARM	2	
28	T4200150	WASHER CYLINDER HEAD NUT	4	
29	K3200760	HEX FLANGE NUT M7x1	4	
30	K3011090	STOPPER ROCKER SHAFT	1	
31	N2180040	SPARK PLUG	1	
32	K3010420	TUBE BREATHER	1	
33	N2041480	CLAMP HOSE	1	
34	0331708	CRR PAN HEAD SCREW	4	
35	K3010750	PACKING SEAL COVER CYL. HD	1	
36	K3010470	PLATE BREATHER	1	
37	K3010410	GASKET PLATE BREATHER	1	
38	K3320680	COVER CYLINDER HEAD ASSY.	1	
39	0330408	WAVE SPRING WASHER M6	4	
40	0332078	CRPH PAN HEAD SCREW M6x30	4	
41	N2080920	PIPE BREATHER	1	
42	F085230	BOLT OIL DRAIN	1	
43	F084010	GASKET OIL DRAIN (RED FIBRE)	1	

** - KIT CONSISTS OF '*' MARKED ITEMS

FIG.No. 02

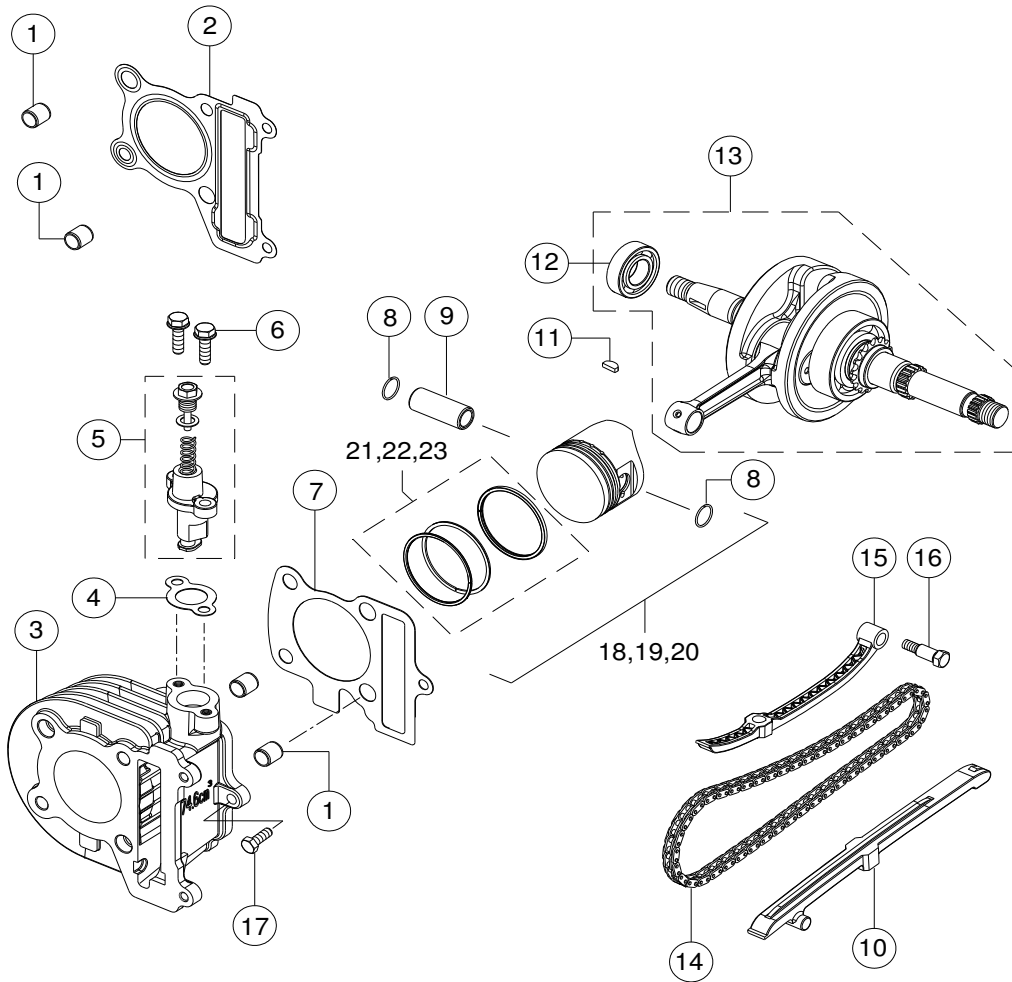
CYLINDER BLOCK & CRANK SHAFT ASSY.



SLNo.	PART No.	DESCRIPTION	QTY.	REMARKS
1	S1200270	TUBULAR DOWEL	4	
2	K3011080	GASKET CYLINDER HEAD	1	
3	K3011040	CYLINDER BLOCK STD	1	
4	K3010440	GASKET TENSION ADJUSTER	1	
5	K3010430	ADJUSTER ASSY. TENSIONER	1	
6	M1200610	HEX FLANGE BOLT M6x20	2	
7	K3011070	GASKET CYLINDER	1	
8	T4200080	CIRCLIP DIA 14.8x1	2	
9	K3010160	PISTON PIN	1	
10	K3010670	GUIDE CAMCHAIN	1	
11	420702000	WOODRUFF KEY	1	
12	N2200390	BALL BEARING (25x52x15)	1	
13	K3020420	CRANKSHAFT COMP.	1	
14	K3010230	CHAIN 84 LINKS	1	
15	K3010700	TENSIONER CAM CHAIN	1	
16	K3010640	BOLT CAM CHAIN TENSIONER	1	
17	420464700	HEX SCREW M6x16	1	
18	K3321090	PISTON KIT STD	1	
19	K3321100	PISTON KIT I O/S	1	
20	K3321110	PISTON KIT II O/S	1	
21	N5320440	RING SET PISTON STD	1	
22	N5320450	RING SET PISTON I O/S	1	
23	N5320460	RING SET PISTON II O/S	1	

FIG.No. 02

CYLINDER BLOCK & CRANK SHAFT ASSY.

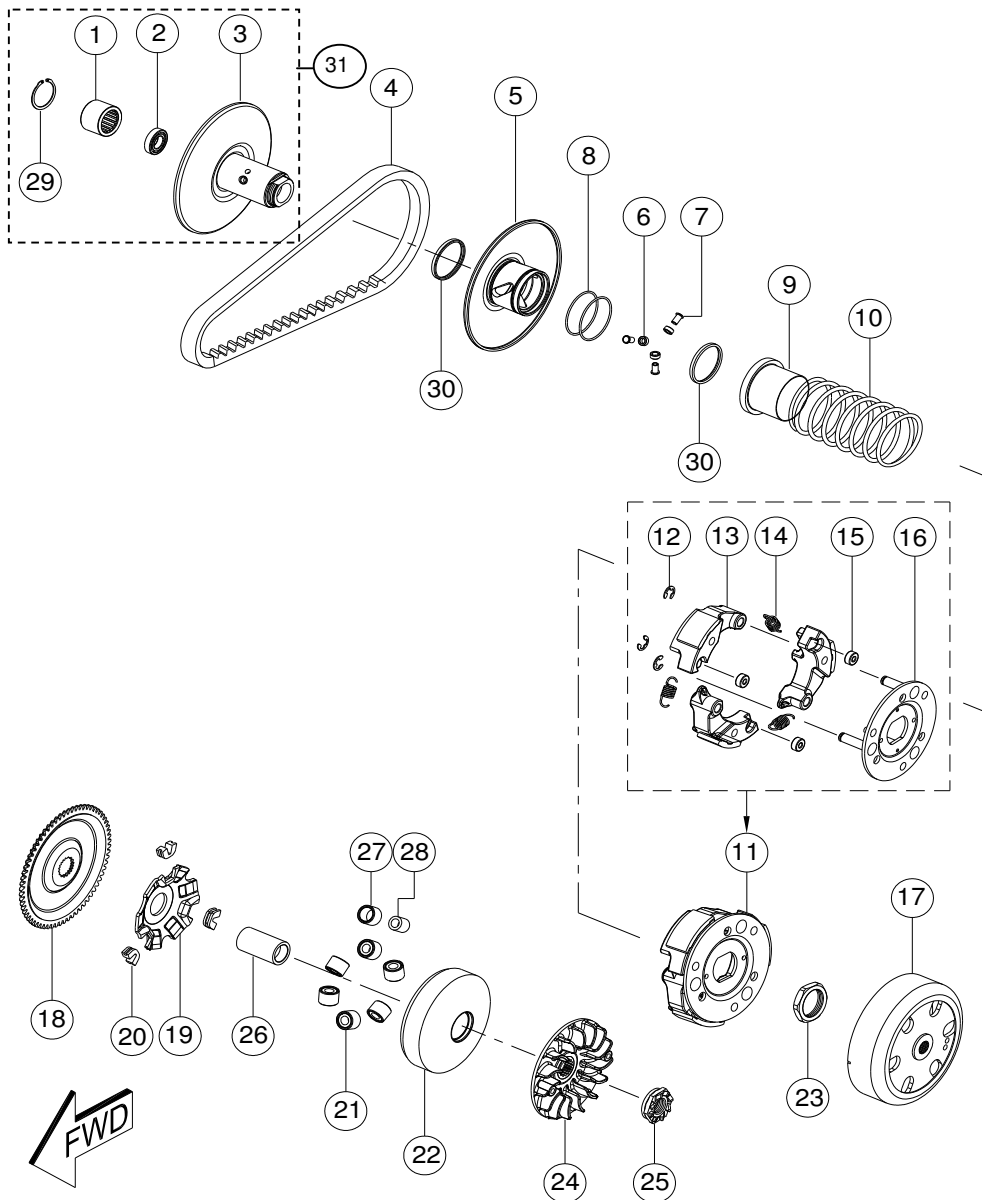


SLNo.	PART No.	DESCRIPTION	QTY.	REMARKS
24	K3321120	CYLINDER BLOCK & PISTON KIT	1	N.I
25	K3180610	ENGINE ASSY. PEP+90cc	1	N.I

N.I - NOT ILLUSTRATED

FIG.No. 03

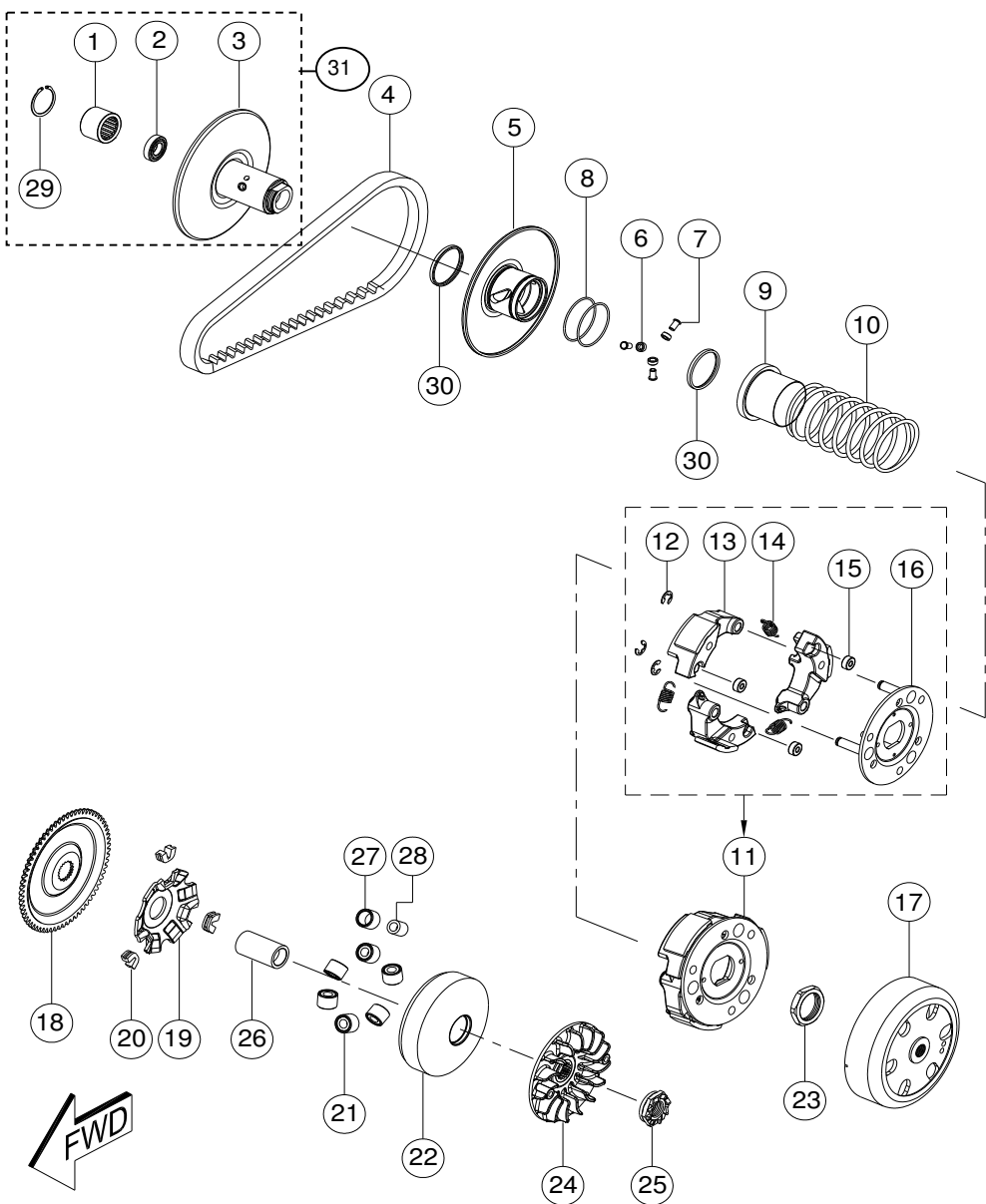
CLUTCH & VARIAMATIC ASSEMBLY



SLNo.	PART No.	DESCRIPTION	QTY.	REMARKS
1	K3200090	NEEDLE ROLLER BEARING	1	
2	K3200850	BALL BEARING 6901 (12x24x6)	1	
3	K3080640	FACE COMP. FIXED DRIVEN	1	
4	K3080820	V - BELT DRIVE	1	
5	K3080670	FACE COMP. MOVABLE DRIVEN	1	
6	K3080970	SPACER MOVABLE DRIVEN PIN	3	
7	K3080980	PIN MOVABLE DRIVEN	3	
8	K3081000	O - RING MOVABLE DRIVEN	2	
9	K3080990	SHEET MOVABLE DRIVEN FACE	1	
10	K3080690	SPRING MOVABLE DRIVEN	1	
11	K3070300	CLUTCH SHOE SET	1	**
12	K3200100	E - RING SIDE WASHER	3	*
13	K3070440	SHOE COMP. CLUTCH	3	*
14	K3070350	SPRING CLUTCH	3	*
15	K3070360	DAMPER CLUTCH SHOE	3	*
16	K3070310	PLATE COMP. CLUTCH DRIVE	1	*
17	K3070580	HOUSING COMP. CLUTCH	1	*
18	K3081910	STARTER GEAR COMP.	1	
19	K3082060	PLATE MOVABLE DRIVE	1	
20	K3080900	DAMPER MOVABLE DR. PLATE	3	
21	K3082070	ROLLER COMP. MOVABLE DR.	6	
22	K3082300	FACE COMP. MOVABLE DRIVE	1	
23	K3070380	NUT SHOE CLUTCH	1	

FIG.No. 03

CLUTCH & VARIAMATIC ASSEMBLY

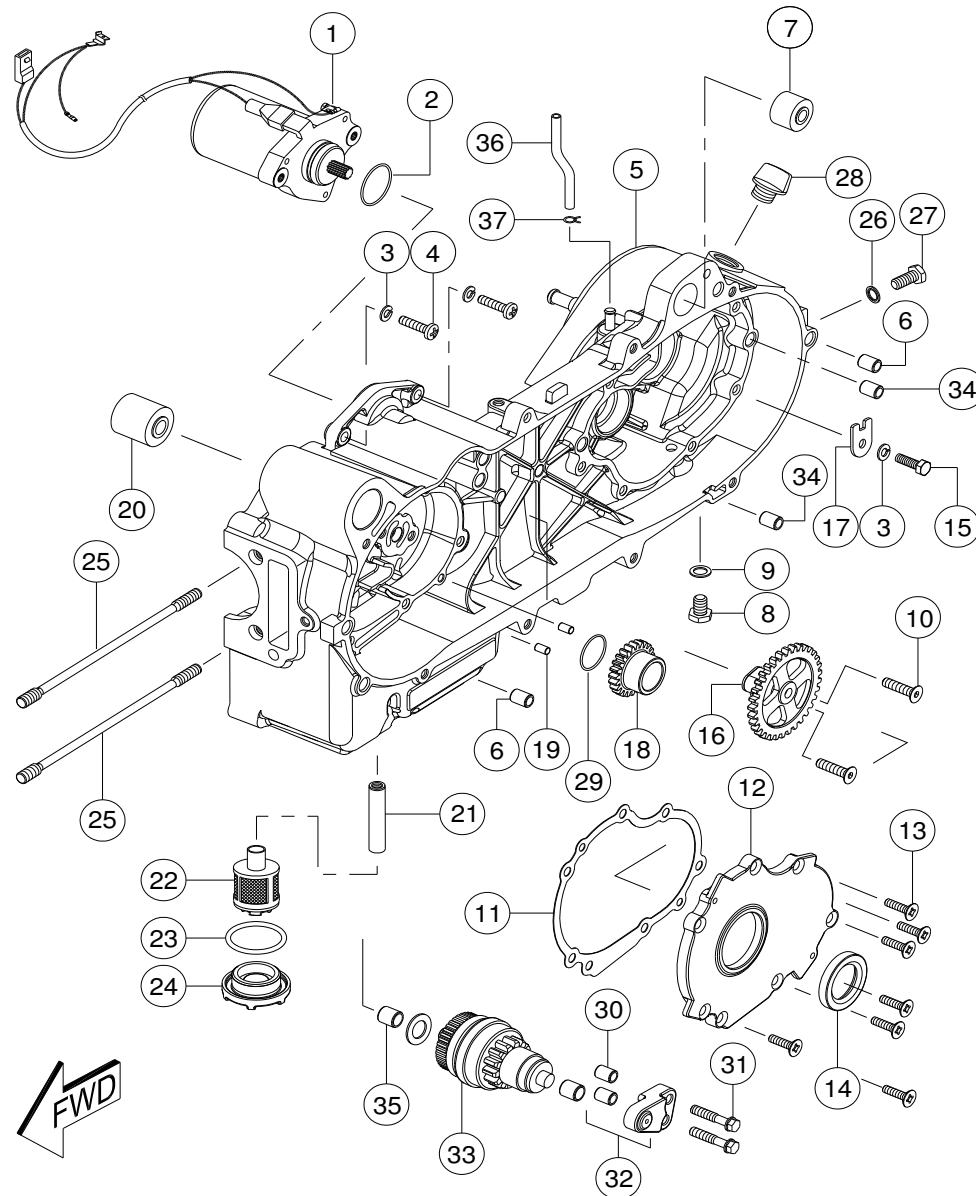


SLNo.	PART No.	DESCRIPTION	QTY.	REMARKS
24	K3081550	FACE COMP. FIXED DRIVE	1	
25	K3081260	RATCHET NUT KS	1	
26	K3080910	SPACER MOVABLE DRIVE	1	
27	K3082080	ROLLER OUTER MOVABLE DR.	6	
28	-	ROLLER INNER MOVABLE DR.	6	REF.SL.No.21
29	F071801	CLIP	1	
30	K3080160	SEAL MOVABLE DRIVEN OIL	2	
31	K3320650	ASSY. KIT FACE COMP. DRIVE	1	**

** - KIT CONSISTS OF * MARKED ITEMS

FIG.No. 04

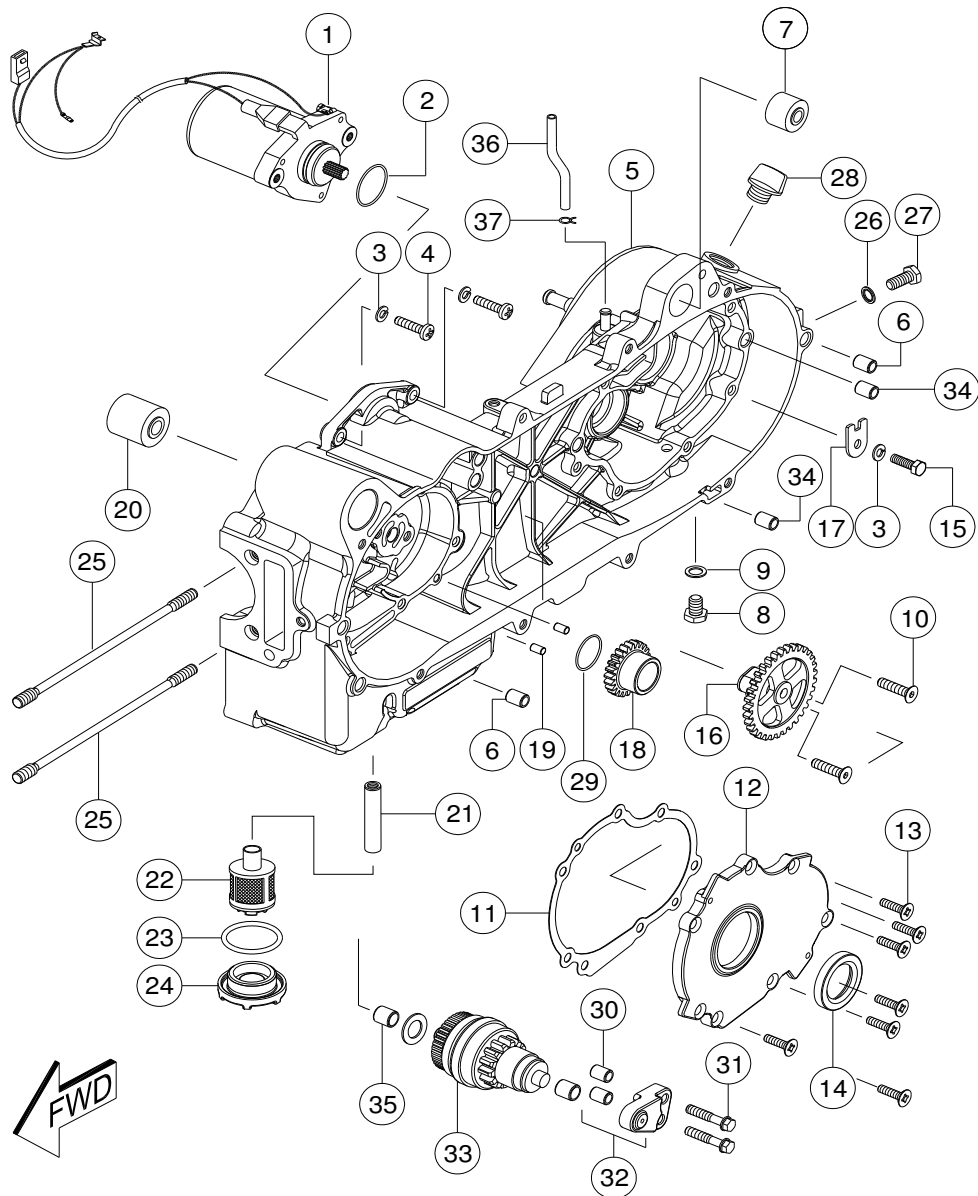
CRANKCASE COMP. LH & OIL PUMP ASSY.



SLNo.	PART No.	DESCRIPTION	QTY.	REMARKS
1	K3060060	MOTOR ASSY. STARTER	1	
2	--	'O' RING	1	
3	0330408	WAVE SPRING WASHER M6	3	
4	K200700	CRR PAN HD SCREW M6x25	2	
5	K3321160	KIT CRANKCASE ASSY. LH	1	
6	S1200270	DOWEL PIN	4	
7	S1090500	SILENT BLOCK SHOCK ABSOR.	1	
8	F085230	BOLT OIL DRAIN	1	
9	F084010	GASKET OIL DRAIN	1	
10	P200210	CSK HD.SCR. HEX. SOC M6x25	2	
11	K3030290	GASKET COVER OIL PUMP	1	
12	K3030270	COVER OIL PUMP	1	
13	K3200330	CROSS RECESSED HD SCREW	7	
14	S1200680	OIL SEAL 30x40x7	1	
15	420462700	HEX SCREW M6x20	1	
16	K3082580	OIL PUMP ASSY.	1	
17	K3170010	PLATE CABLE STOPPER	1	
18	K3082560	GEAR OIL PUMP DRIVE	1	
19	S1010390	PIN DOWEL	2	
20	K3090380	SILENT BLOCK BUSH	1	
21	K3081720	PIPE INLET OIL PUMP	1	
22	K3081750	OIL FILTER	1	
23	K3200730	O- RING DIA 37.5x3	1	

FIG.No. 04

CRANKCASE COMP. LH & OIL PUMP ASSY.

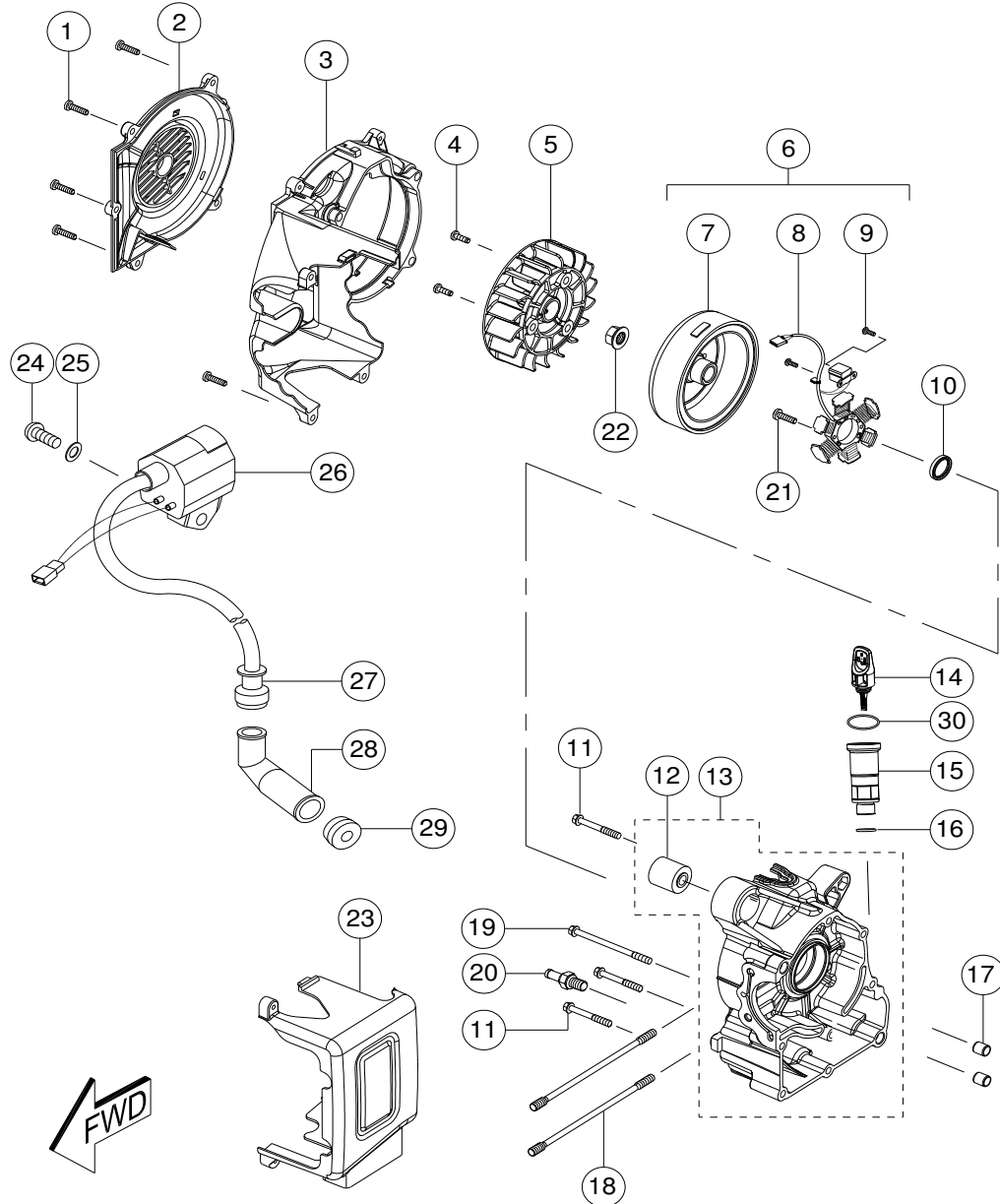


SLNo.	PART No.	DESCRIPTION	QTY.	REMARKS
24	K3081880	DRAIN PLUG	1	
25	K3200180	STUD CYLINDER LH	2	
26	3249050	GASKET OIL LEVEL	1	
27	420452700	HEX SCREW OIL LEVEL M6x12	1	
28	K3081400	PLUG OIL FILL	1	
29	M1080640	O- RING DIA 19x2.4	1	
30	0074010	DOWEL PIN	2	
31	M1200470	HEX FLANGE BOLT M6x30	2	
32	K3060390	BKT BENDIX MTG	1	
33	K3060070	BENDIX DRIVE	1	
34	K3200410	DOWEL PIN	2	
35	K3060190	BUSH BENDIX R 11x9	2	
36	K3040980	HOSE CRANKCASE BREATHER	1	
37	N8040360	HOSE CLIP AIR INLET	1	
38	K3321170	KIT CRANKCASE ASSY. LH & RH	1	**

** - REF. KIT & KIT CONTENTS

FIG.No. 05

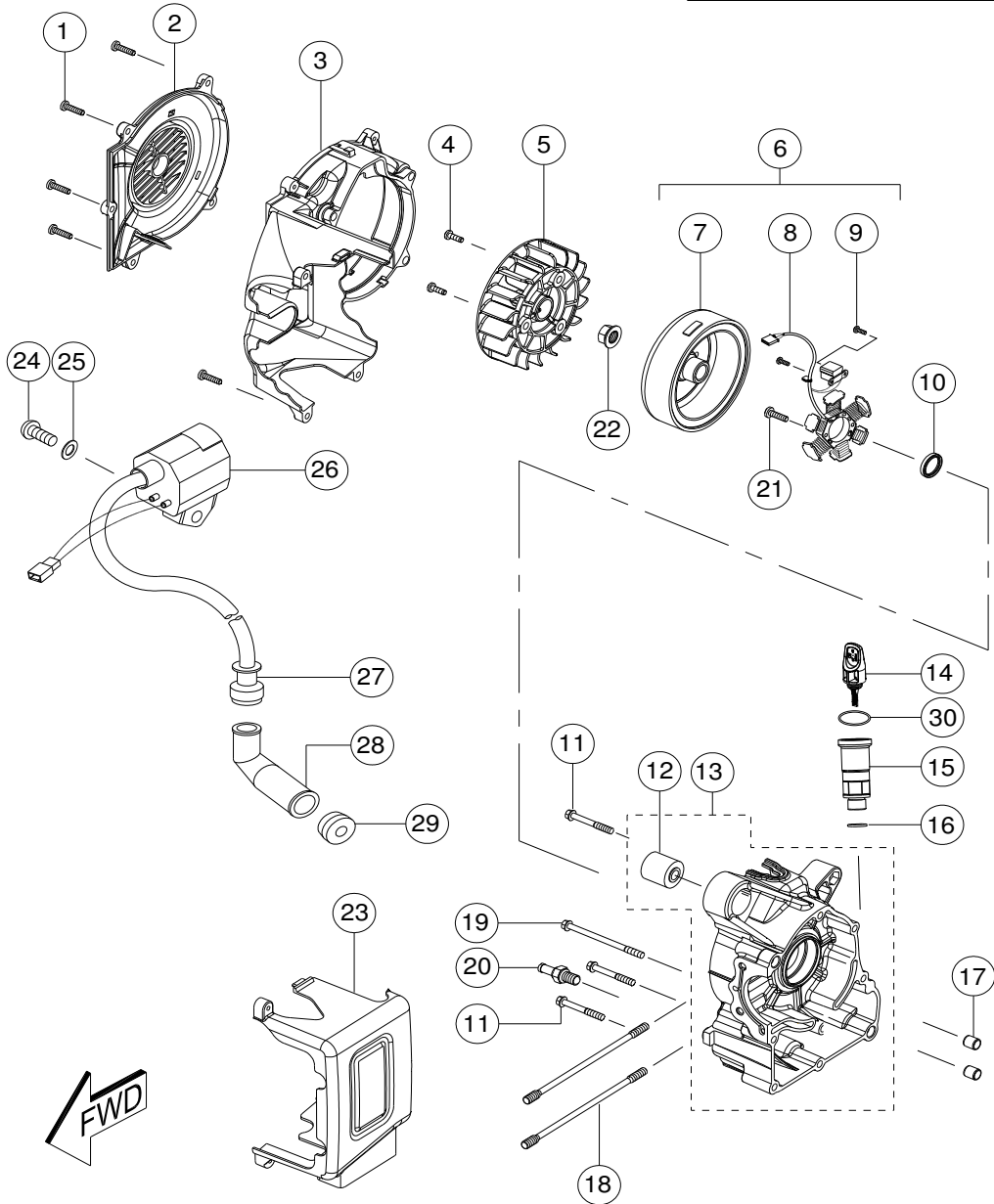
CRANKCASE RH & MAGNETO ASSY.



SLNo.	PART No.	DESCRIPTION	QTY.	REMARKS
1	F200098	CRR PAN HEAD SCREW M5x20	5	
2	K3180330	COVER FAN	1	
3	K3180320	HOUSING FAN	1	
4	K3200440	SCREW FAN M6x14	3	
5	K3180280	FAN	1	
6	K3060340	MAGNETO ASSEMBLY 12V	1	
7	K3060080	ROTOR ASSEMBLY	1	
8	K3060090	STATOR PLATE ASSEMBLY	1	
9	0331708	CRR PAN HEAD SCREW	2	
10	K3200640	OIL SEAL 17x26x6	1	
11	K3200530	HEX FLANGE BOLT M6x45	7	
12	K3090380	SILENT BLOCK BUSH	1	
13	K3321150	KIT CRANKCASE ASSY RH	1	**
14	K3082010	GAUGE OIL LEVEL	1	
15	K3030340	ADAPTOR OIL LEVEL	1	
16	K3081650	O-RING ADAPTER OIL LEVEL	1	
17	S1200270	TUBULAR DOWEL	2	
18	K3200180	STUD CYLINDER LH	2	
19	K3200500	HEX FLANGE BOLT M6x85	2	
20	K3060260	THERMAL SENSOR	1	
21	K200700	CRR PAN HEAD SCREW M6x22	2	
22	0334128	NUT MAGNETO ROTOR	1	
23	K3180340	DEFLECTOR COWL	1	

FIG.No. 05

CRANKCASE RH & MAGNETO ASSY.



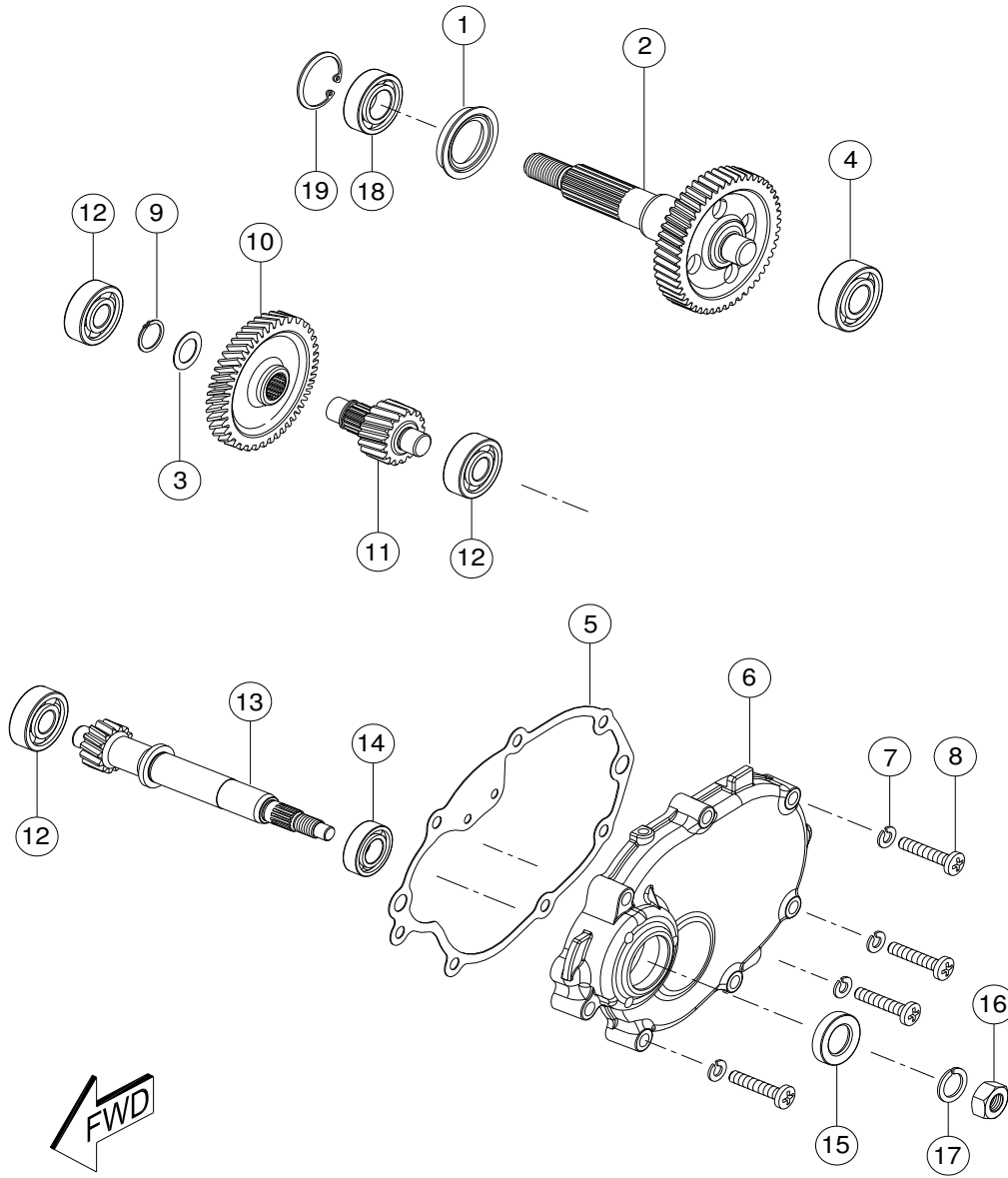
SLNo.	PART No.	DESCRIPTION	QTY.	REMARKS
24	0332275	CRR PAN HEAD SCREW M6x16	1	
25	0330408	WAVE SPRING WASHER M6	1	
26	K3060410	IGNITION COIL	1	
27	N2180130	SEAL HIGH TENSION CORD	1	
28	N2180110	CAP ASSY SPARK PLUG	1	
29	S1060310	SEAL SPARK PLUG	1	
30	M1080640	O RING OIL GAUGE	1	
31	K3321170	KIT CRANKCASE ASSY LH & RH	1	**

** - REF. KIT & KIT CONTENTS



FIG.No. 06

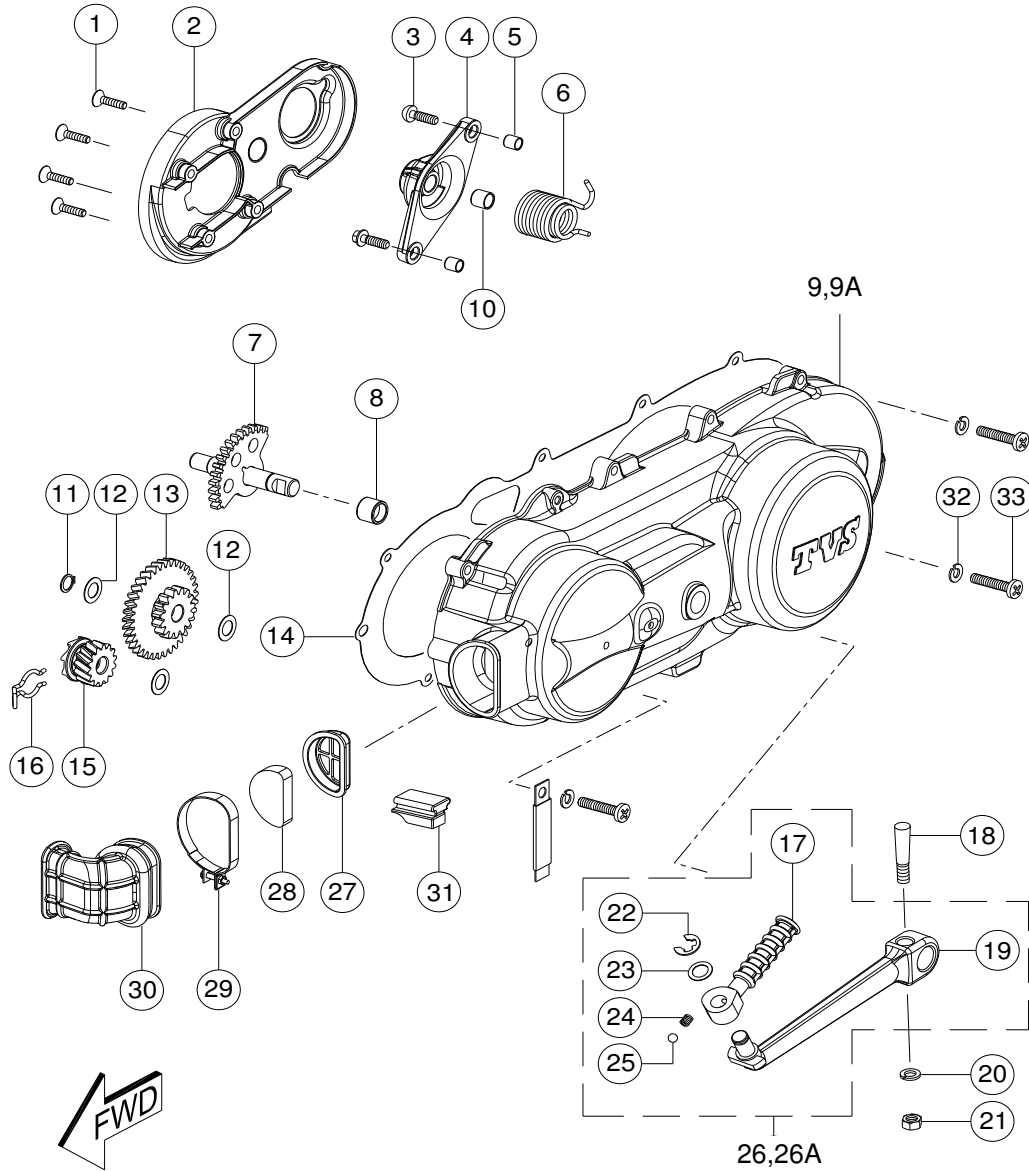
GEAR & GEAR CASE ASSY.



SLNo.	PART No.	DESCRIPTION	QTY.	REMARKS
1	K3200750	OILSEAL WHEEL SHAFT	1	
2	K3082400	SHAFT COMP. REAR WHEEL	1	
3	0335024	SHIM 17x24x1	1	
4	K3200370	BALL BEARING 6202	1	
5	K3081490	GASKET GEAR CASE	1	
6	K3082660	GEAR CASE	1	
7	0330408	WAVE SPRING WASHER M6	7	
8	0332078	CRPH SCREW M6x30	7	
9	0330164	CIRCLIP	1	
10	K3081810	GEAR INTERMEDIATE	1	
11	K3081820	SHAFT INTERMEDIATE	1	
12	K3200400	BALL BEARING 6201	3	
13	K3082470	SHAFT CLUTCH (22 SPLINES)	1	
14	K1200040	BALL BEARING	1	
15	T4080540	OILSEAL CLUTCH SHAFT	1	
16	420308700	HEX NUT M10x1	1	
17	0330328	WAVE SPRING WASHER M10	1	
18	K3200980	BALL BEARING 6004	1	
19	K200060	CIRCLIP 42x1.75	1	

FIG.No. 07

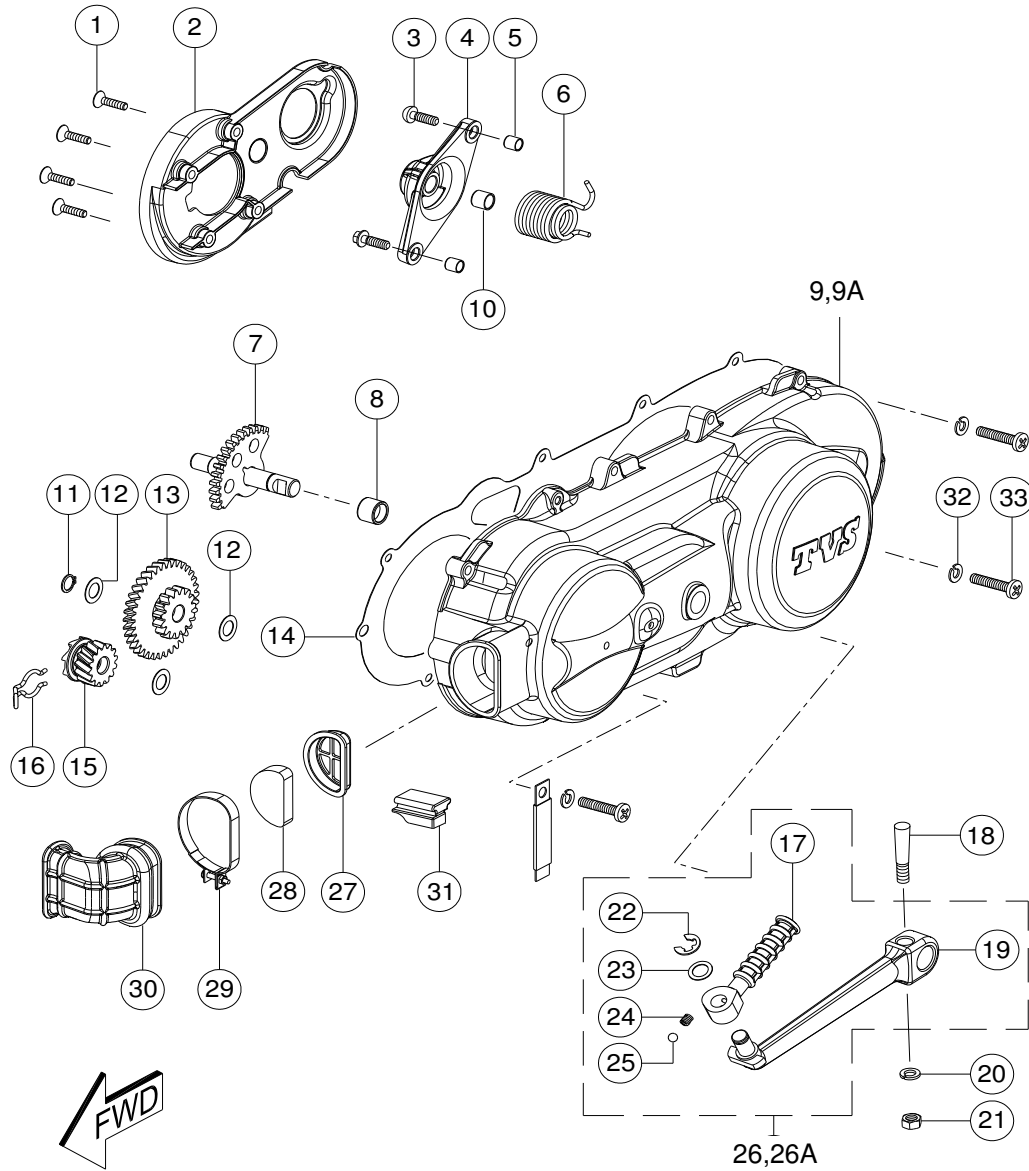
COVER VARIATOR & KICKSTARTER ASSY.



SLNo.	PART No.	DESCRIPTION	QTY.	REMARKS
1	0332248	CRR CSK HEAD SCREW M6x20	4	
2	K3081540	COVER FAN CVT	1	
3	N3200220	HEX FLANGE BOLT M6x16	2	
4	K3082200	PLATE SUPPORT KICK STARTER	1	
5	K3200410	DOWEL PIN 19x12	2	
6	K3081530	SPRING KICK STARTER	1	
7	K3081300	GEAR COMP KICK STARTER DR.	1	
8	K3082190	BUSH KICK STARTER SHAFT	1	
9	K3320740	COVER VARIATOR	1	
10	K3082170	BUSH K.S SUPPORT PLATE	1	
11	P200150	CIRCLIP 11x1.0	1	
12	P080610	SHIM 11.2x18.2x0.5	3	
13	K3081320	GEAR KICK STARTER IDLER	1	
14	K3030310	GASKET COVER VARIATOR	1	
15	K3081240	GEAR KICK STARTER DRIVEN	1	
16	K3081500	SPRING K S DRIVEN GEAR	1	
17	K3081690	PEDAL LEVER	1	*
18	420701700	COTTER PIN	1	
19	---	KICK STARTER LEVER COMP.	1	REF.SL.No.26
20	420051700	SPRING WASHER	1	
21	420307700	HEX NUT M7x1	1	
22	420919000	CIRCLIP 8.0	1	*
23	F084100	WASHER LEVER KICK STARTER	1	*

FIG.No. 07

COVER VARIATOR & KICKSTARTER ASSY.

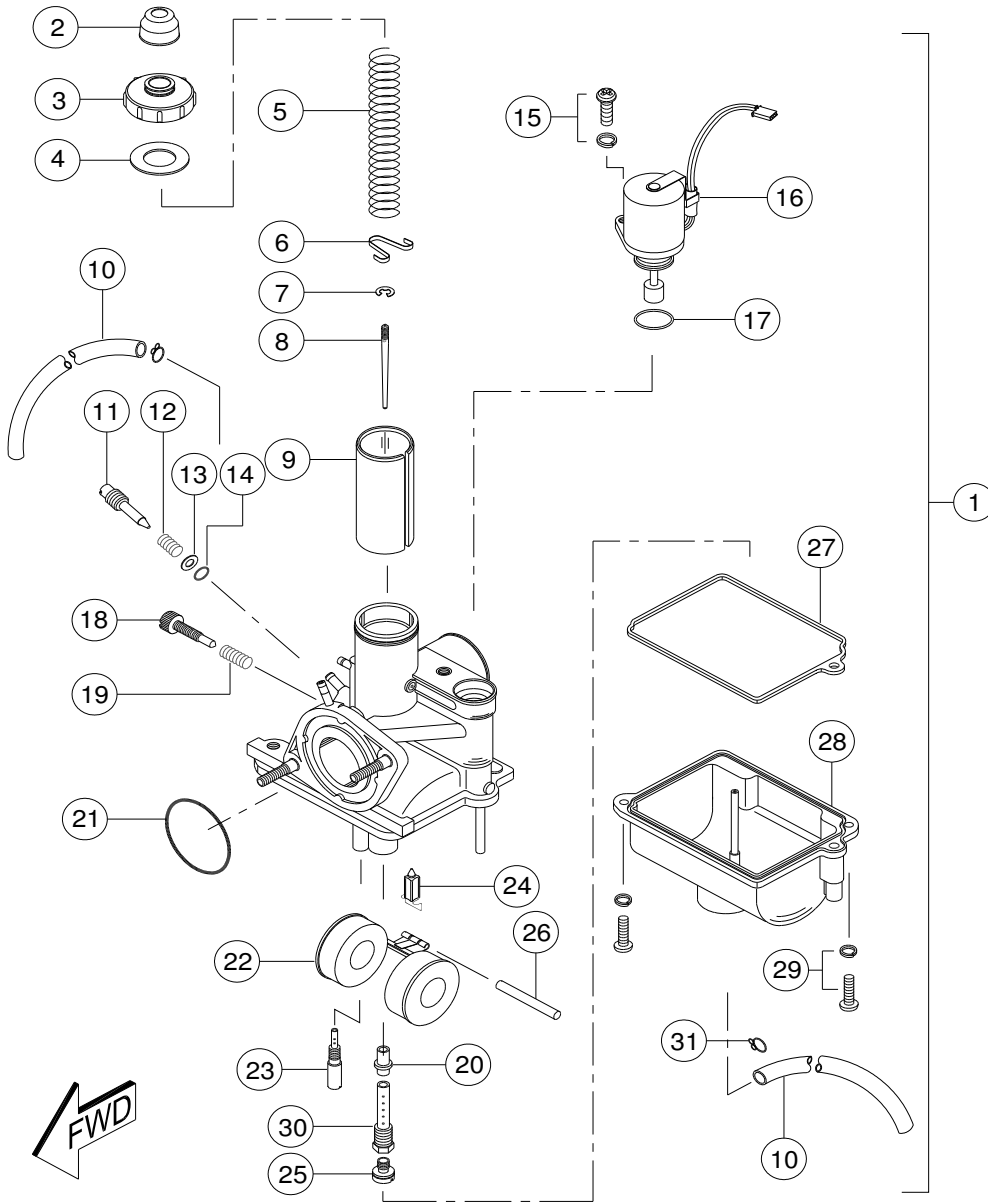


SLNo.	PART No.	DESCRIPTION	QTY.	REMARKS
24	K3081590	SPRING KICK STARTER LEVER	1	*
25	K3200380	BALL 7/3 KICK LEVER	1	*
26	K3081660	LEVER ASSY. KICK STARTER	1	**
27	K3081960	HOLDER FILTER	1	
28	K3081970	FOAM FILTER	1	
29	K3082000	CLAMP TUBE INLET	1	
30	K3081950	TUBE INLET CVT	1	
31	K3120800	STOPPER CENTER STAND	1	
32	0330408	WAVE SPRING WASHER M6	8	
33	K200700	CRR PAN HEAD SCREW M6x25	8	
9A	K30302807D	COVER VARIATOR	1	T. GREY
26A	K3082760	LEVER ASSY. KICK STARTER	1	T. GREY

** - ASSY. CONSIST OF '**' MARKED ITEMS

FIG.No. 08

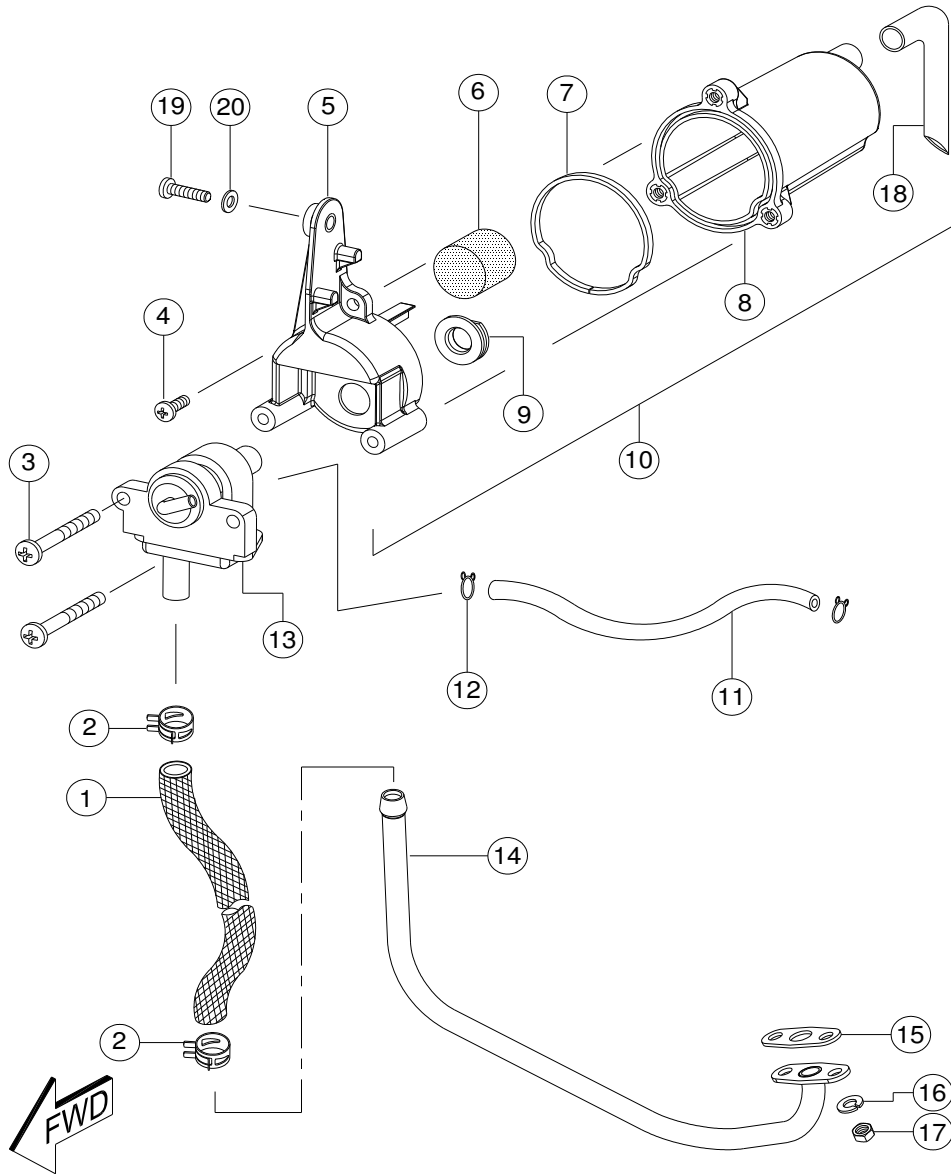
CARBURETTOR ASSEMBLY



SLNo.	PART No.	DESCRIPTION	QTY.	REMARKS
24	K3320320	NEEDLE ASSY.	1	
25	K3321200	MAIN JET	1	
26	K3320310	PIN FLOAT	1	
27	K3320360	SEAL FLOAT BODY	1	
28	K3321300	FLOAT BODY ASSY.	1	
29	K3320530	SCREW FLOAT BODY	4	
30	K6320770	JET HOLDER	1	
31	N5320400	CLIP	2	

FIG.No. 10

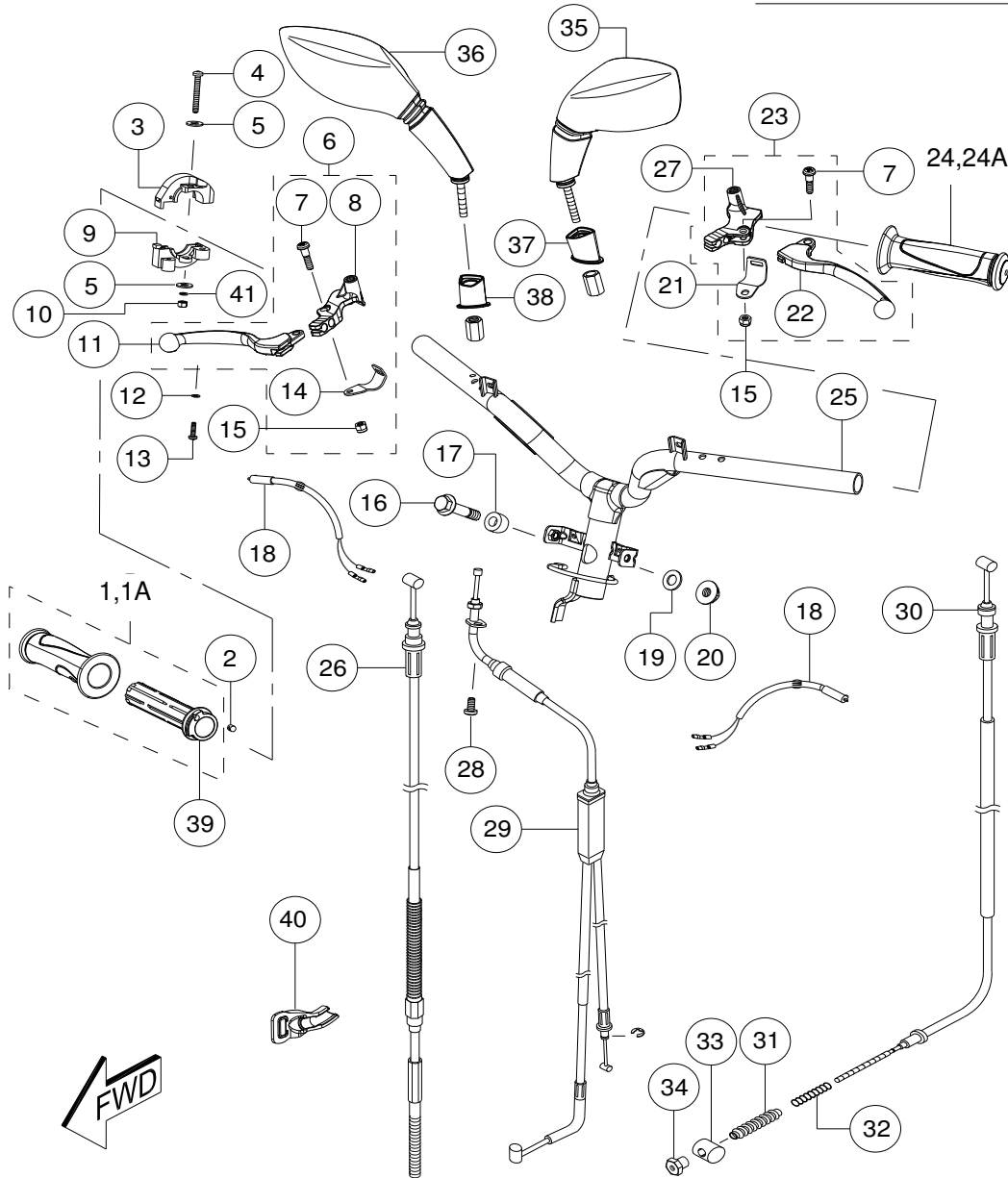
SECONDARY AIR INJECTION ASSY.



SLNo.	PART No.	DESCRIPTION	QTY.	REMARKS
1	K3040230	HOSE AIR OUTLET	1	
2	N2041160	HOSE CLIP No. 2	2	
3	0332118	CRPH SCREW M6x55	2	
4	0331718	CRPH SCREW M5x16	1	*
5	K3040620	COVER FILTER AIR INJECTION	1	*
6	K3040630	FILTER ELEMENT	1	*
7	K3040640	GASKET AIR INJECTION	1	*
8	K3040610	CASE AIR INJECTION	1	*
9	K3040650	GROMMET AIR INJECTION	1	*
10	K3040600	FILTER COMP. AIR INJECTION	1	**
11	K3040410	HOSE AIR CUT VALVE	1	
12	414147000	CLIP FUEL HOSE	2	
13	N8040250	SECONDARY AIR INJEC. VALVE	1	
14	K3040210	PIPE COMP. AIR INJECTION	1	
15	K3040420	GASKET AIR INJECTION	1	
16	0330408	SPRING WASHER	2	
17	420305700	HEX NUT M6	2	
18	K3040670	HOSE AIR ENTRY	1	*
19	420464700	HEX SCREW M6x16	1	
20	0335608	PUNCHED WASHER 6.5x16x1.2	1	

FIG.No. 12

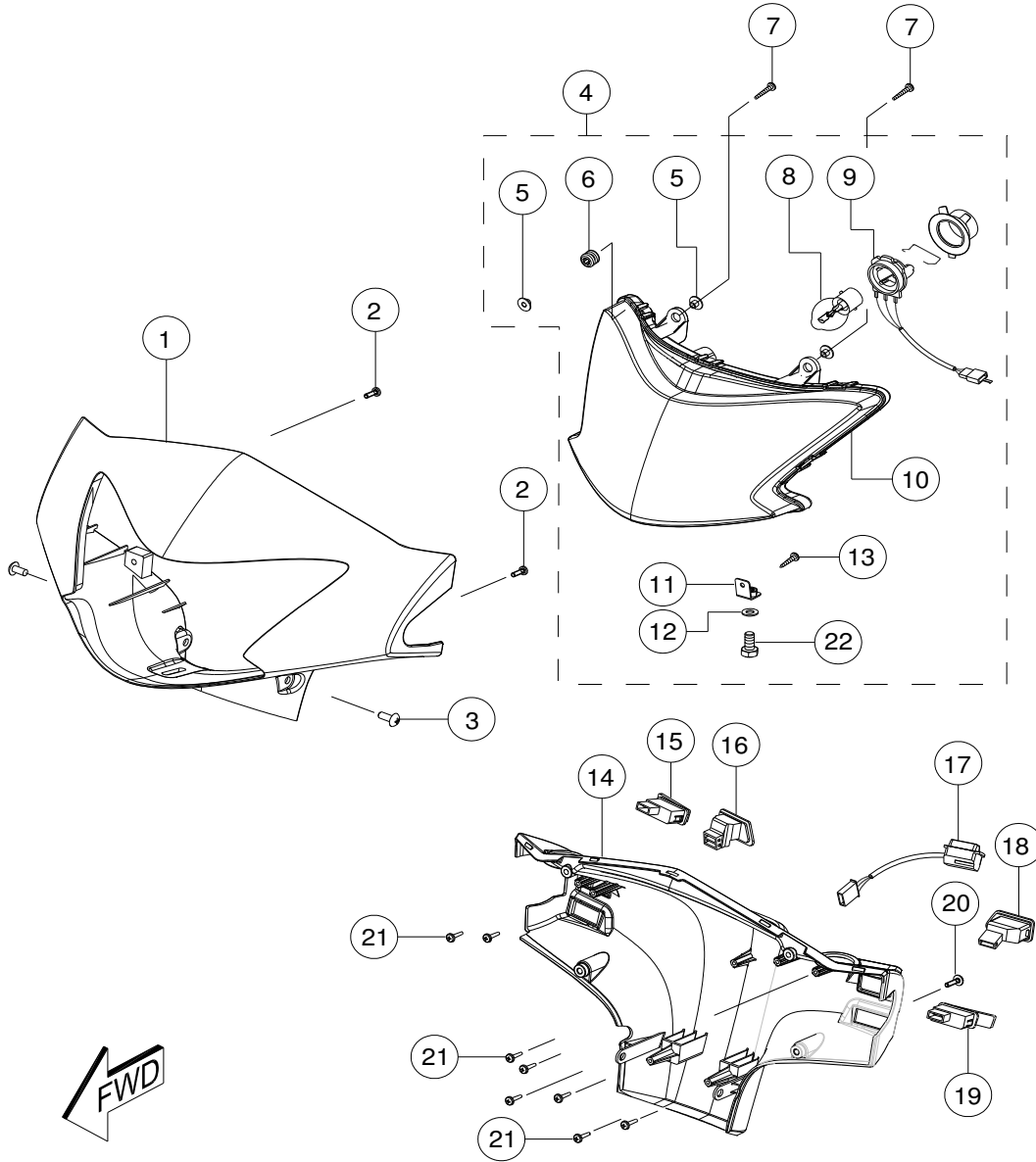
HANDLE BAR & CABLE ASSY.



SLNo.	PART No.	DESCRIPTION	QTY.	REMARKS
1	K3150370	GRIP COMP. THROTTLE	1	
2	0254096	PIECE THROTTLE CABLE END	1	
3	K150420	CASE THROTTLE UPPER	1	
4	0332038	CRR PAN HEAD SCREW M5x45	1	
5	0335558	PUNCHED WASHER 5.5x12x1	2	
6	K3150300	CONTROL LEVER ASSY. RH	2	S.No.7,8,11,14,15
7	K3200420	CRR PAN HD SCREW, SPECIAL	2	
8	K3150240	BRKT LEVER RH	1	
9	K3150570	CASE THROTTLE LOWER	1	
10	420302700	HEX NUT M5	1	
11	K3150260	BRAKE LEVER RH	1	
12	A200170	SPRING WASHER	1	
13	420957700	CRR PAN HEAD SCREW M4x15	1	
14	K3150280	CLAMP LEVER BRKT RH	1	
15	409047000	NYLON LOCK NUT M6	2	
16	K3200660	HEX FLANGE BOLT M10x1.25x45	1	
17	S1150500	BUSH ROUND	1	
18	D163320	ASSY. SWITCH STOP LAMP	2	
19	420008700	PUNCHED WASEHR A11	1	
20	K200570	HEX FLANGE U NUT M10x1.25	1	
21	K3150270	CLAMP LEVER BRKT LH	1	
22	K3150250	BRAKE LEVER LH	1	
23	K3150290	CONTROL LEVER ASSY LH	1	S.No.- 7,15,21,22,27

FIG.No. 14

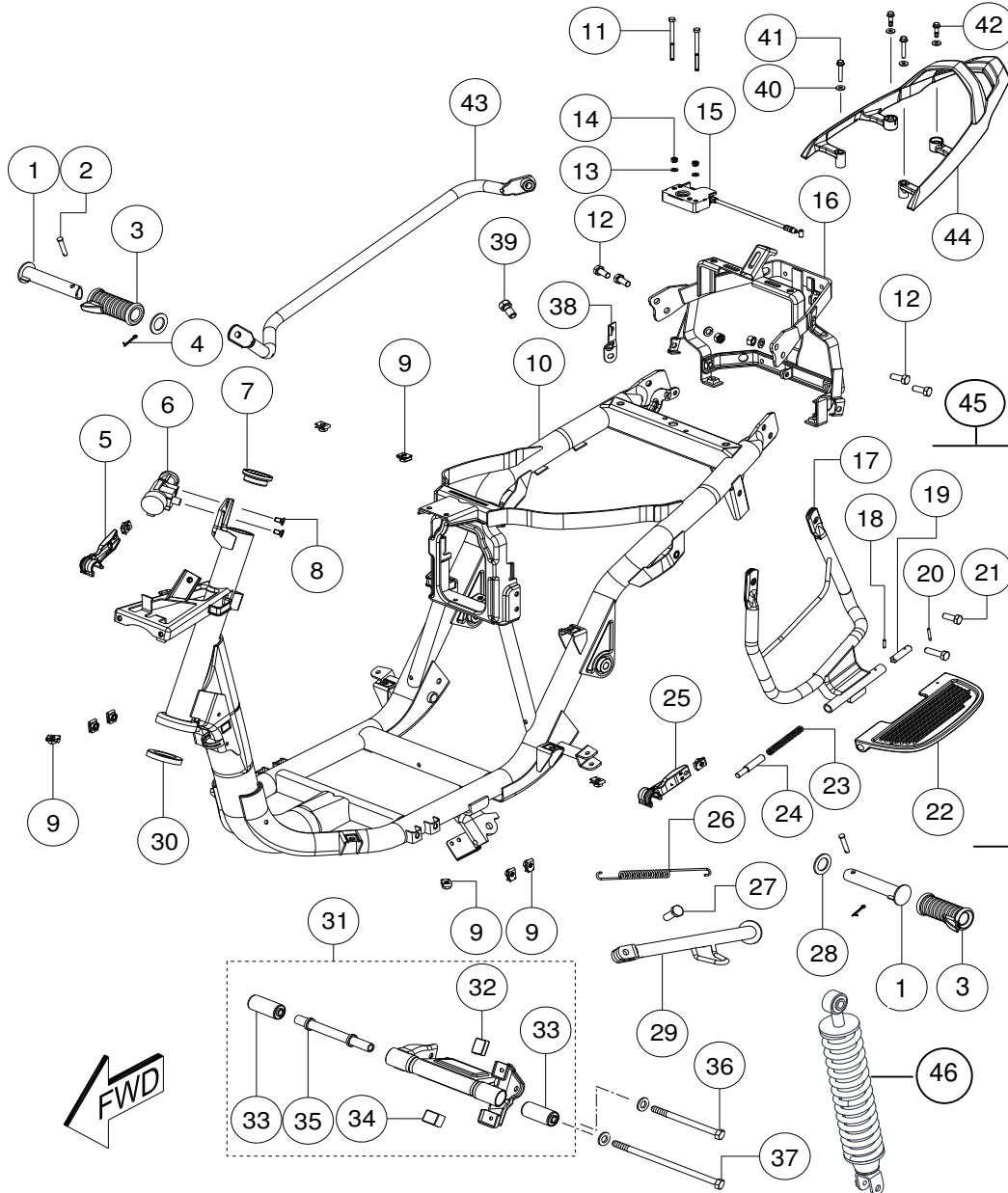
HEAD LAMP ASSY. & HOUSING ASSY.



SLNo.	PART No.	DESCRIPTION	QTY.	REMARKS
1	--	HOUSING HEAD LAMP	1	REF. COLOUR MATRIX
2	0332708	CRPH SCREW M4x14	2	
3	0332275	CRPH SCREW M6x16	2	
4	K3161160	HEAD LAMP ASSEMBLY	1	
5	S1160200	WASHER	4	
6	S1160190	GROMMET HEAD LAMP	2	
7	S1201000	CRR PAN HD TAP SCR. 4.2x25	2	
8	S1160150	BULB 12V 35/35W	1	
9	K3161410	BULB HOLDER HEAD LAMP	1	
10	K3321400	HEAD LAMP W/O BULB	1	
11	B4160080	BRKT COMP. HEADLAMP ADJ.	1	
12	0335608	PUNCHED WASHER 6.5x16x1.2	1	
13	K5200010	CRR PAN HD TAP SCR. 4.2x9.5	1	
14	K3220350	HOUSING HEADLAMP REAR	1	
15	K3160390	SWITCH STARTER	1	
16	K3160800	SWITCH LIGHTING	1	
17	S1160370	SWITCH BEAM CONTROL	1	
18	S1160360	SWITCH TURN SIGNAL LAMP	1	
19	K3160380	SWITCH HORN	1	
20	R1200450	CRR FL. PAN HD SCR M4x16	2	
21	K200320	CRR PAN HD TAP SCR. 4.2x16	8	
22	P1200070	HEX SCREW M6x16	1	

FIG.No. 16

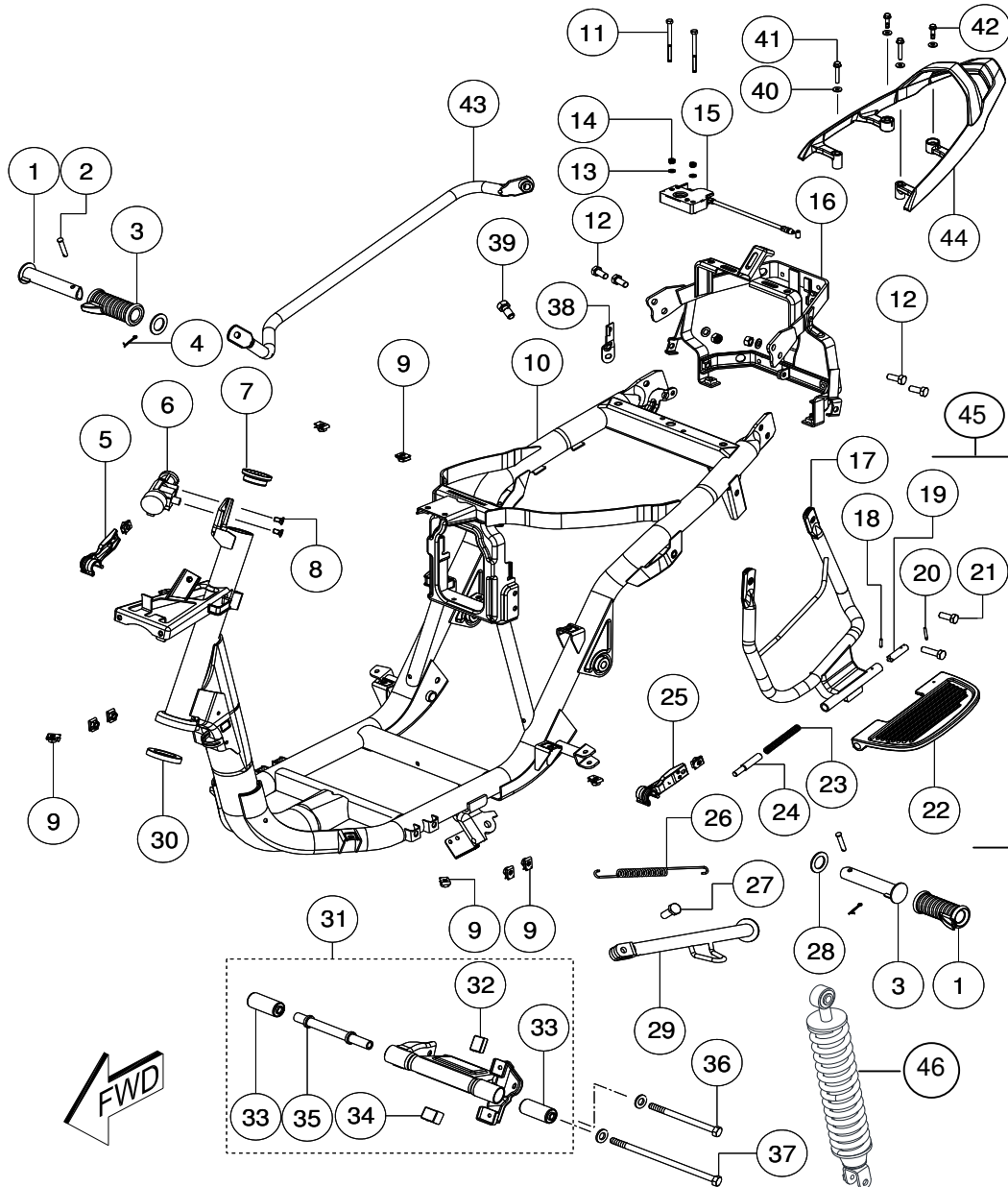
FRAME COMP. & FOOTREST ASSY.



SLNo.	PART No.	DESCRIPTION	QTY.	REMARKS
1	K3123860	BAR COMP. FOOTREST	2	
2	0254028	PIN PILLION FOOTREST	2	
3	K3123770	CUSHION PILLION FOOTREST	2	
4	0330048	SPLIT PIN 2.0x20	2	
5	K3125220	CLAMP SIDE PANEL RH	1	
6	K3121170	IGNITION LOCK	1	
7	K3100570	CUP TOP	1	
8	0332238	REC SCK HD SCR M6x12	1	
9	K3200840	RETAINER CLIP NUT	10	
10	K3124400	FRAME COMP. WITH CUP	1	
11	K3122240	HEX BOLT M5x65	2	
12	420454700	HEX SCREW M8x20	4	
13	0330308	WAVE SPRING WASHER M5	2	
14	420302700	HEX NUT M5	2	
15	K3130090	LATCH ASSY. SEAT	1	
16	K3124430	SUB FRAME COMP.	1	
17	K3124989	FOOTREST COMP. LH PILLION	1	
18	K3122850	COTTOR PIN FOOT R FOLDABLE	1	
19	K3122830	PIN FOOTREST FOLDABLE	1	
20	K3122840	COTTER PIN FOOT R FOLDABLE	1	
21	N8100050	HEX BOLT M8x30	2	
22	K3123140	PAD FOOTREST FOLDABLE	1	
23	K3122800	SPRING FOOTREST FOLDABLE	1	

FIG.No. 16

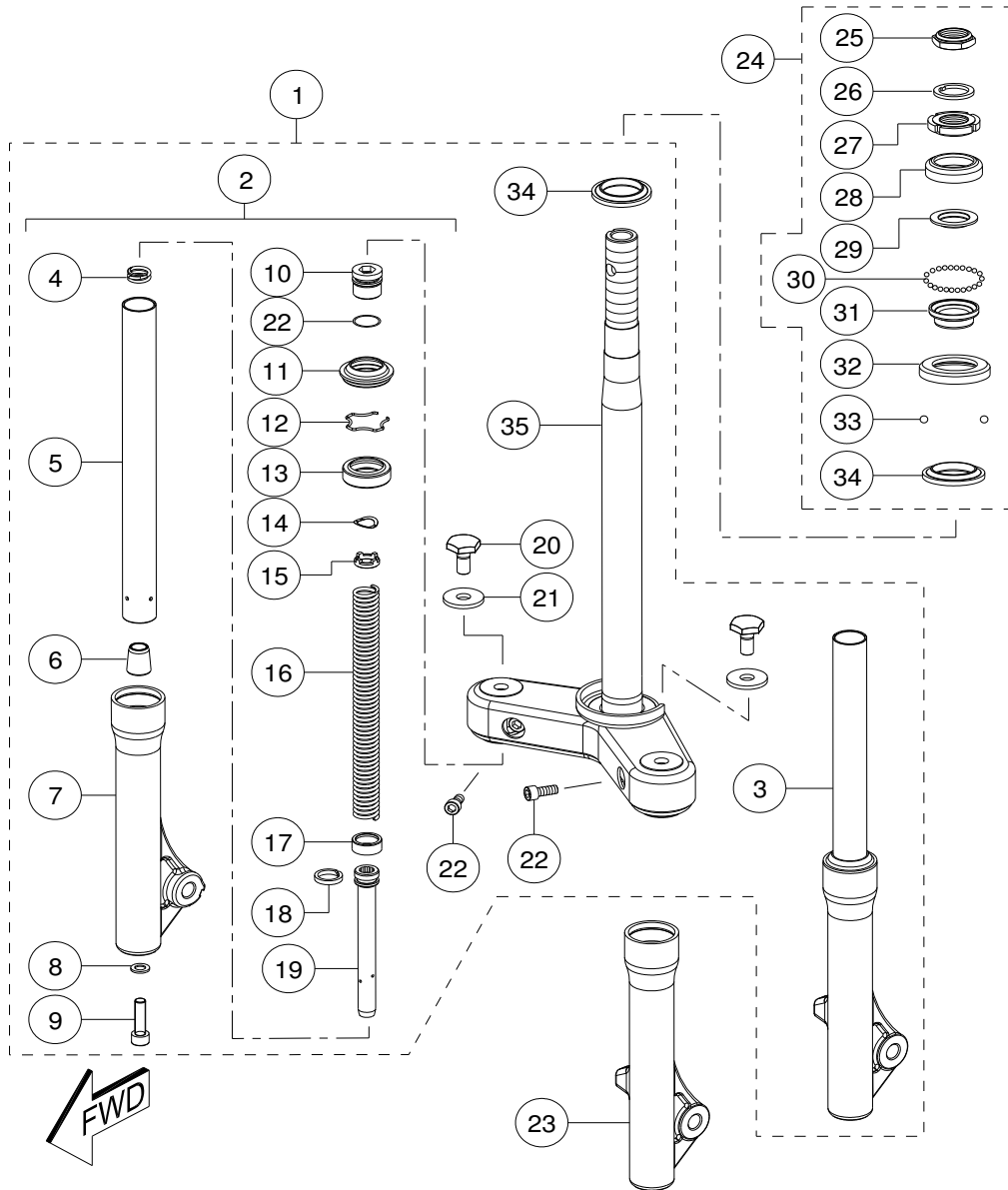
FRAME COMP. & FOOTREST ASSY.



SLNo.	PART No.	DESCRIPTION	QTY.	REMARKS
24	K3122820	PIN FOOTREST FOLDABLE	1	
25	K3125210	CLAMP SIDE PANEL LH	1	
26	K3120930	SPRING PROP STAND	1	
27	0331508	HEX BOLT M10x1.25x27	1	
28	0335728	PUNCHED WASHER 20x32x2	2	
29	K3120920	PROP STAND COMP.	1	
30	K3100590	CUP BOTTOM	1	
31	K3090450	TOGGLE LINK ASSY.	1	
32	K3090180	DAMPER TOGGLE LINK	1	
33	K3090380	SILENT BLOCK BUSH	2	
34	K3090310	DAMPER TOGGLE LINK	1	
35	K3090270	SPACER ASSY. TOGGLE LINK	1	
36	K3200650	HEX BOLT M10x195	1	
37	K3200210	BOLT COMP M10x312	1	
38	K3124520	BRACKET GUARD	1	
39	0331058	HEX SCR M8x16+WAVE SPRING	1	
40	0336018	PUNCHED WASHER 8.5x20x2	4	
41	M1200840	HEX FLANGE BOLT M8x50	2	
42	M7110280	HEX FLANGE BOLT M8x30	2	
43	K3220580	GUARD COMP. SIDE PANEL BOTTOM RH	1	
44	K3220530	PILLION HANDLE (BLACK)	1	
45	K31249907D	FOOTREST ASSY. FOLDE PILLION	1	
46	K3090230	SHOCK ABSORBER ASSY.	1	

FIG.No. 18

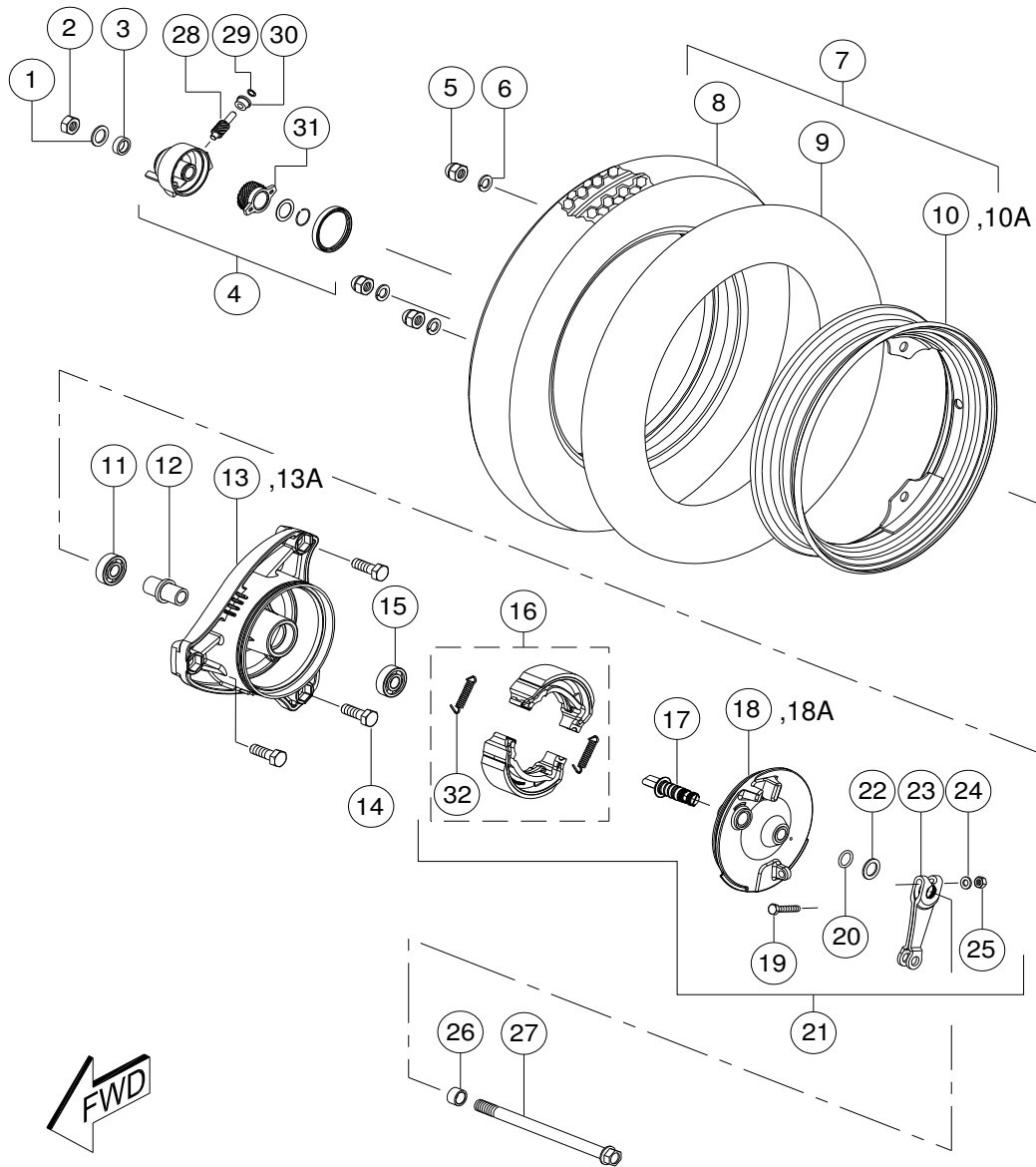
FRONT FORK ASSEMBLY



SLNo.	PART No.	DESCRIPTION	QTY.	REMARKS
1	K3101170	FORK ASSY. FRONT	1	
2	K3101190	FORK ASSY. RH	1	
3	K3101180	FORK ASSY. LH	1	
4	R1100340	REBOUND SPRING	2	
5	K3101230	INNER TUBE COMP.	2	
6	K3321470	SPINDLE TAPER	2	
7	K3101210	OUTER TUBE RH	1	
8	R1100430	PACKING	2	
9	N5200180	HEX SOC HD CAP SCREW M8x30	2	
10	K3101300	NUT FRONT FORK	2	
11	K3100340	SEAL DUST	2	
12	K3321490	SNAP RING	2	
13	K3100330	OIL SEAL	2	
14	K3100430	SPRING ONE WAY VALVE	2	
15	K3100090	PIECE ONE WAY VALVE	2	
16	K3321460	SPRING FRONT FORK	2	
17	K3100129	--	2	
18	K3321480	SLEEVE DAMPER PISTON	2	
19	K3101360	DAMPER PISTON	2	
20	K3101380	BOLT SS	2	
21	3257497	WASHER	2	
22	K3101290	O RING	2	
23	K3101200	OUTER TUBE LH	1	

FIG.No. 19

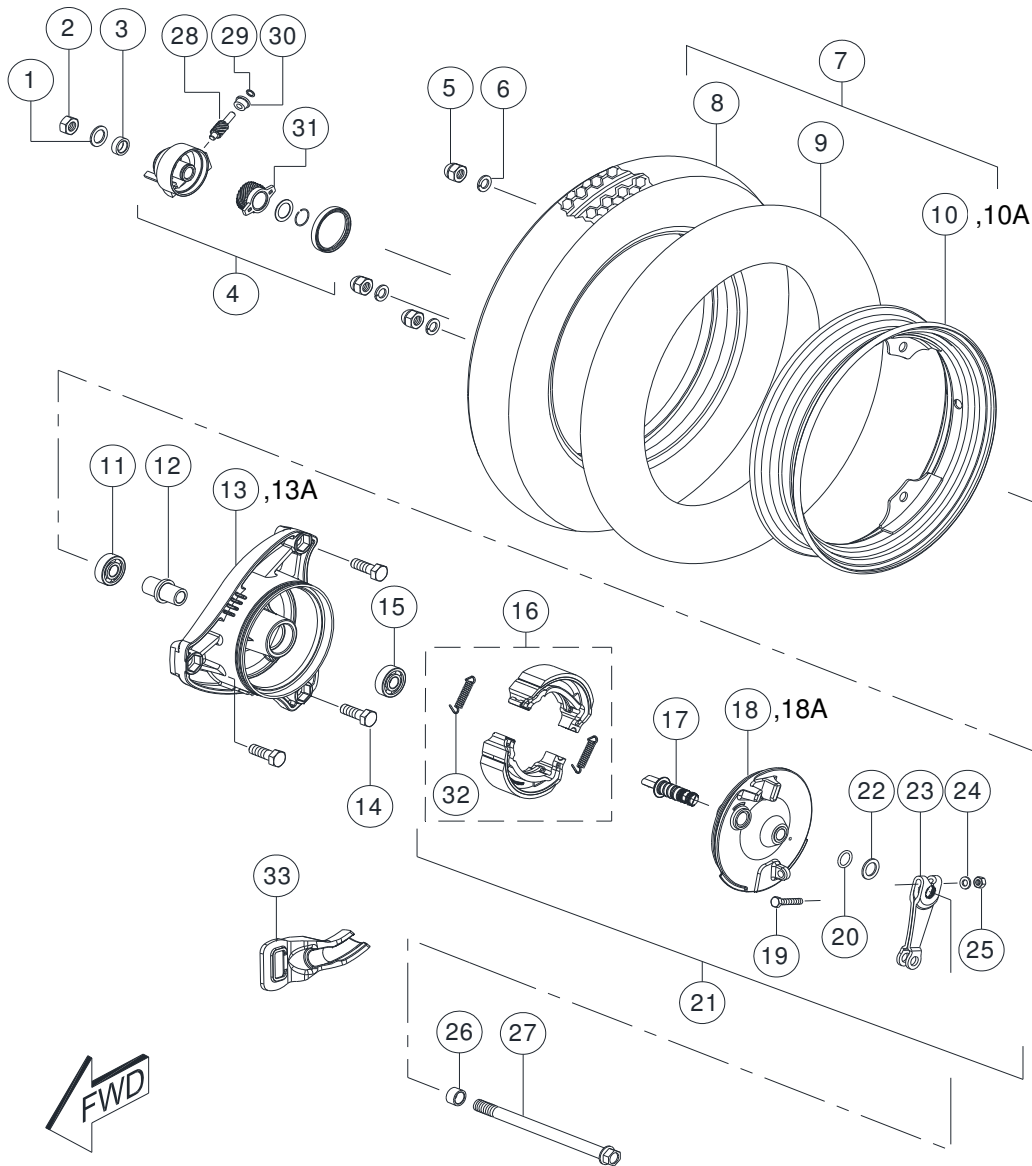
FRONT WHEEL ASSEMBLY



SLNo.	PART No.	DESCRIPTION	QTY.	REMARKS
1	0335538	PUNCHED WASHER 12.5x22x2.3	1	
2	0334158	U NUT M12x1.25	1	
3	K3110590	SPACER SPEEDO SIDE FRONT	1	
4	K3110530	SPEEDO DRIVE ASSY	1	
5	0334047	CAP NUTS	3	
6	0330328	WAVE SPRING WASHER M10	3	
7	K3110970	WHEEL ASSEMBLY	1	
8	K3110950	TYRE 90x90x10	1	
9	K3110960	TUBE 90x90x10	1	
10	K31102603C	RIM COMP. WHEEL	1	
11	420602000	BEARING FRONT HUB RH	1	
12	K3110330	SPACER COMP. FRONT HUB	1	
13	K31101603C	HUB COMP. FRONT WHEEL	1	
14	K3200680	HEX FLANGE BOLT M8x25	3	
15	K3200770	BALL BEARING 6201	1	
16	C8110090	BRAKE SHOE SET 110 DIA	1	
17	K3110470	CAM BRAKE	1	
18	K31101803C	BRAKE PANEL FRONT	1	
19	0331248	HEX BOLT M6x1x33	1	
20	0178030	O RING BRAKE CAM	1	
21	K3110310	BRAKE PANEL ASSY. FRONT	1	
22	0335698	PUNCHED WASHER 14.5x22x1.6	1	
23	0172038	LEVER FRONT BRAKE CAM	1	

FIG.No. 19

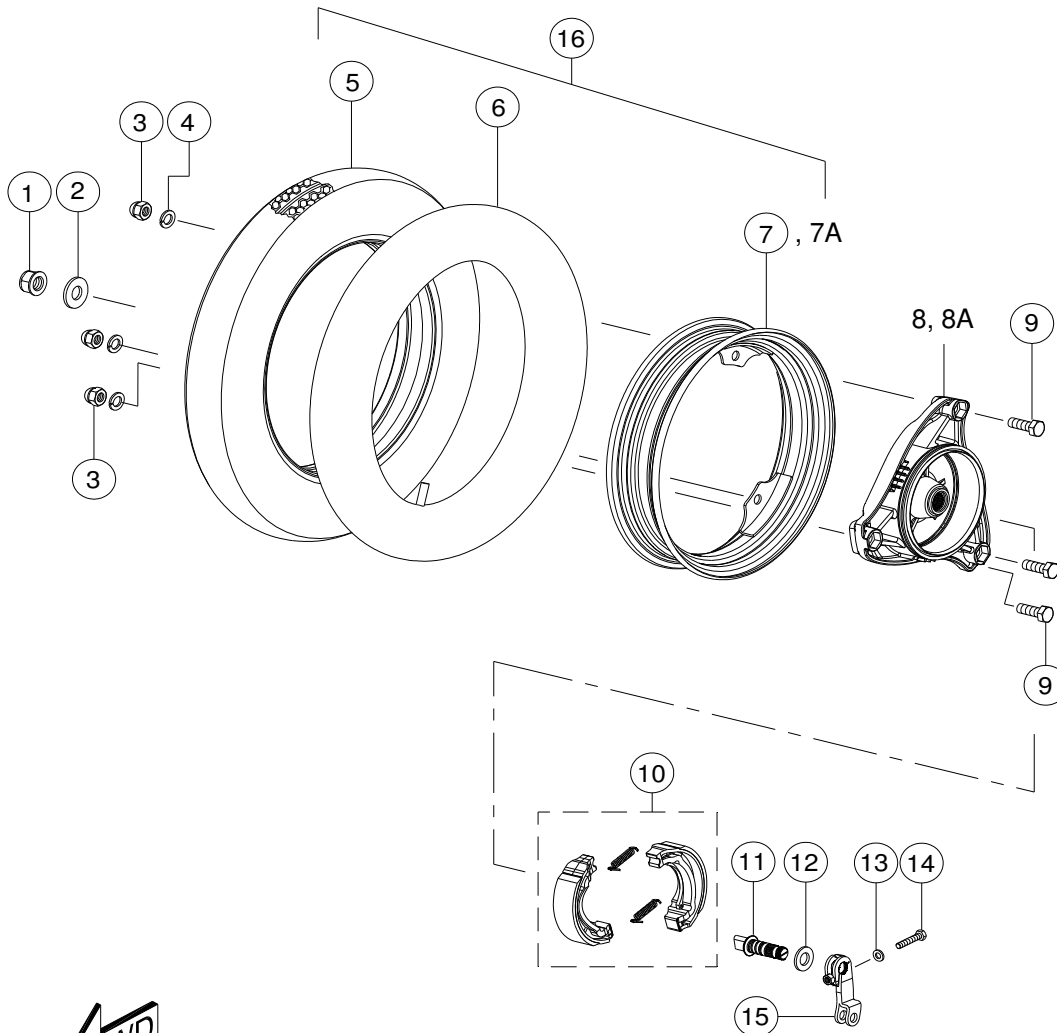
FRONT WHEEL ASSEMBLY



SLNo.	PART No.	DESCRIPTION	QTY.	REMARKS
24	420001700	PUNCHED WASHER A6.6	1	
25	420305700	HEX NUT M6	1	
26	K3110420	SPACER LH FRONT WHEEL	1	
27	R1110580	AXLE COMP. FRONT DIA 12x208	1	
28	K3110550	PINNION SPEEDO DRIVE	1	
29	S1111170	SHIM SPEEDO DRIVE	1	
30	S1111180	ARRESTER SPEEDO DRIVE	1	
31	K3110540	GEAR WHEEL SPEEDO DRIVE	1	
32	S1112020	SPRING BRAKE SHOE	2	
33	K3170060	CABLE GUIDE BRAKE	1	
10A	K31102607D	RIM COMP. FRONT WHEEL	1	T. GRAY
13A	K31101607D	HUB COMP. FRONT WHEEL	1	"
18A	K31101807D	BRAKE PANEL FRONT	1	"

FIG.No. 20

REAR WHEEL ASSEMBLY

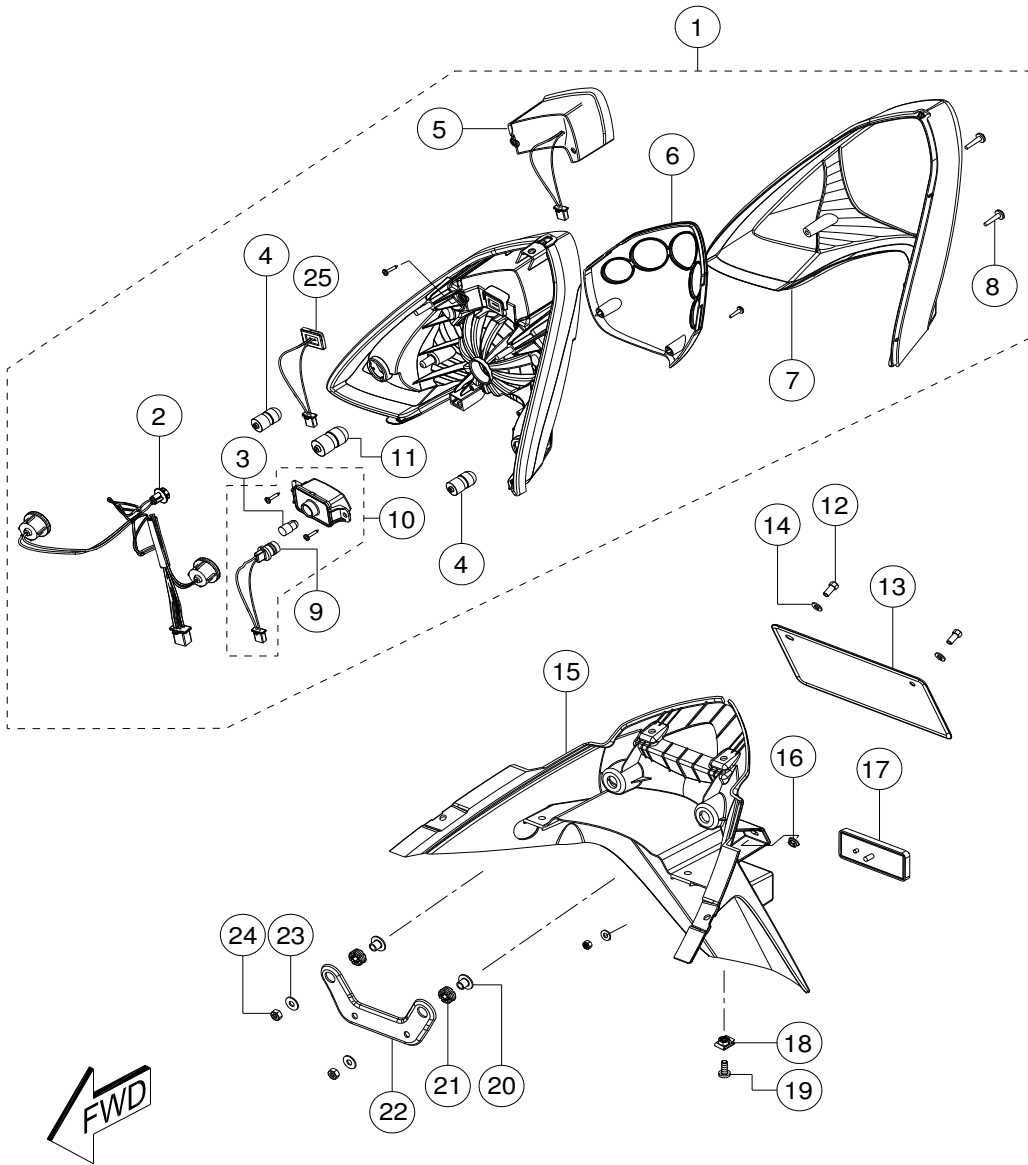


SLNo.	PART No.	DESCRIPTION	QTY.	REMARKS
1	K200410	HEX FLANGE U NUT	1	
2	K200370	PUNCHED WASHER15x33.5x3.15	1	
3	0334047	CAP NUTS	3	
4	0330328	WAVE SPRING WASHER M10	3	
5	K3110950	TYRE 90/90-10	1	
6	K3110960	TUBE 3.5x10	1	
7	K31102603C	RIM COMP. WHEEL	1	
8	K31102103C	HUB COMP. REAR WHEEL	1	
9	K3200680	HEX BOLT M10x1.25x30	3	
10	N5111250	BRAKE SHOE SET 110 DIA	1	
11	N8111900	CAM BRAKE	1	
12	K3110460	WASHER BRAKE CAM	1	
13	420001700	PUNCHED WASHER A6.6	1	
14	0331248	HEX BOLT M6x1x33	1	
15	K3110510	LEVER COMP. BRAKE REAR	1	
16	K3110970	WHEEL ASSY. FRONT	1	
7A	K31102607D	RIM COMP WHEEL	1	T. GREY
8A	K31102107D	HUB COMP. REAR WHEEL	1	T. GREY



FIG.No. 21

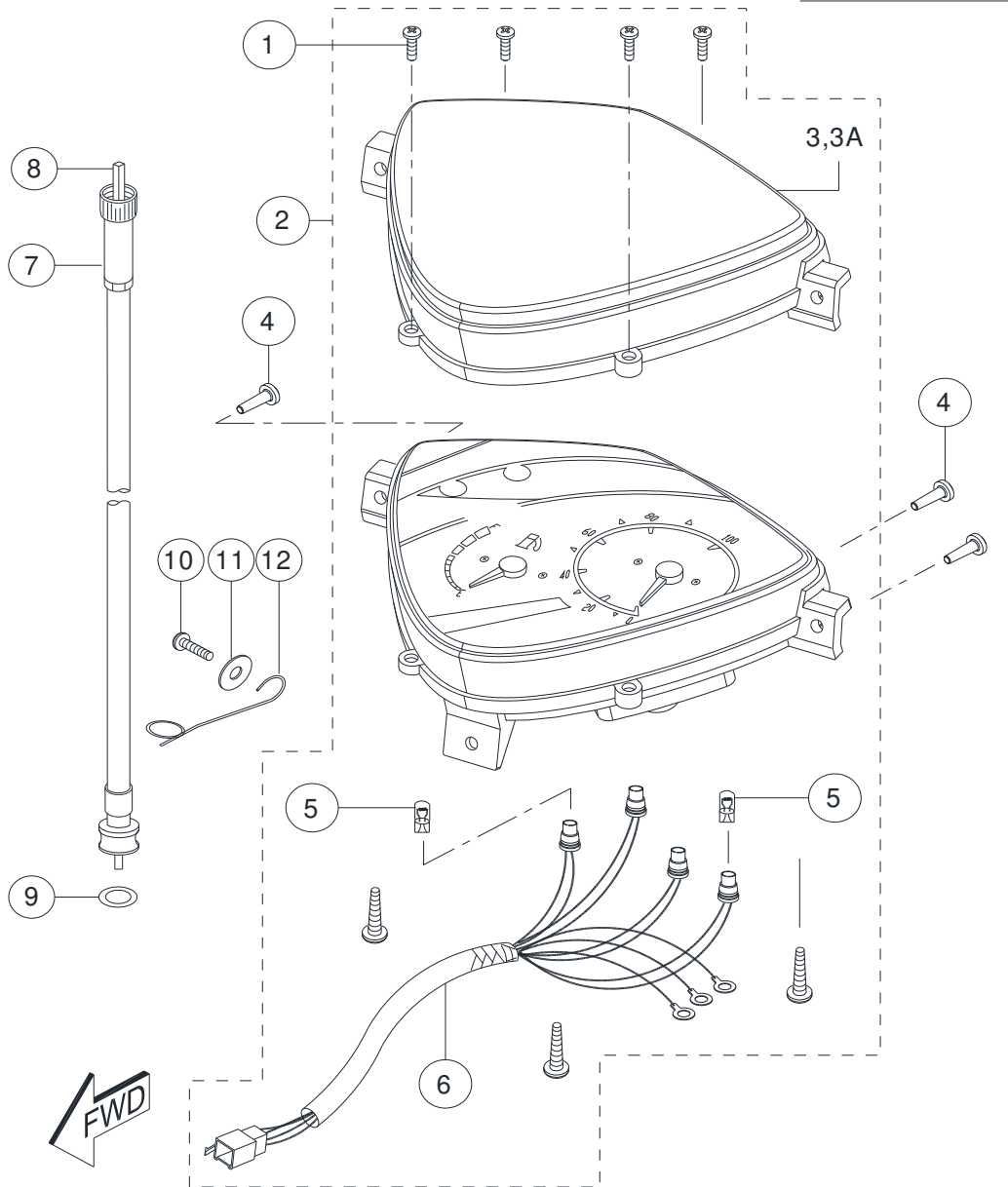
TAIL LAMP & REAR FENDER ASSEMBLY



SLNo.	PART No.	DESCRIPTION	QTY.	REMARKS
1	K3161170	TAIL LAMP ASSY.	1	
2	K3161270	CORD SET TAIL LAMP	1	
3	N4160320	BULB LICENCE PALTE	1	
4	K3160450	BULB TSL	2	
5	K3321430	LED POSITION LAMP	1	
6	K3161420	INNER LENS TL	1	
7	K3161180	OUTER LENS TL	1	
8	K200320	CRR PAN HEAD SCREW	2	
9	K3161500	CORD SET LICENCE PLATE LAMP	1	
10	K3161430	LICENCE LAMP ASSY.	1	
11	N4160210	BULB STOP LAMP	1	
12	420452700	HEX BOLT M6x1.0x12	2	
13	N8121710	LICENCE PLATE REAR	1	
14	0330408	WAVE SPRING WASHER M6	2	
15	K3220520	FENDER REAR	1	
16	0334146	HEX FLANGE NUT M6	2	
17	M7160120	REFLEX REFLECTOR ASSY.	1	
18	K3200840	RETAINER CLIP COMP. PANEL	2	
19	M1201050	CRR PAN HEAD SCREW	2	
20	N8122610	CUP WASHER	2	
21	N3120130	GROMMET HEAD LAMP	2	
22	K3220590	BRACKET TAIL LAMP	1	
23	0335608	PUNCHED WASHER 6.5x12x1.2	2	

FIG.No. 22

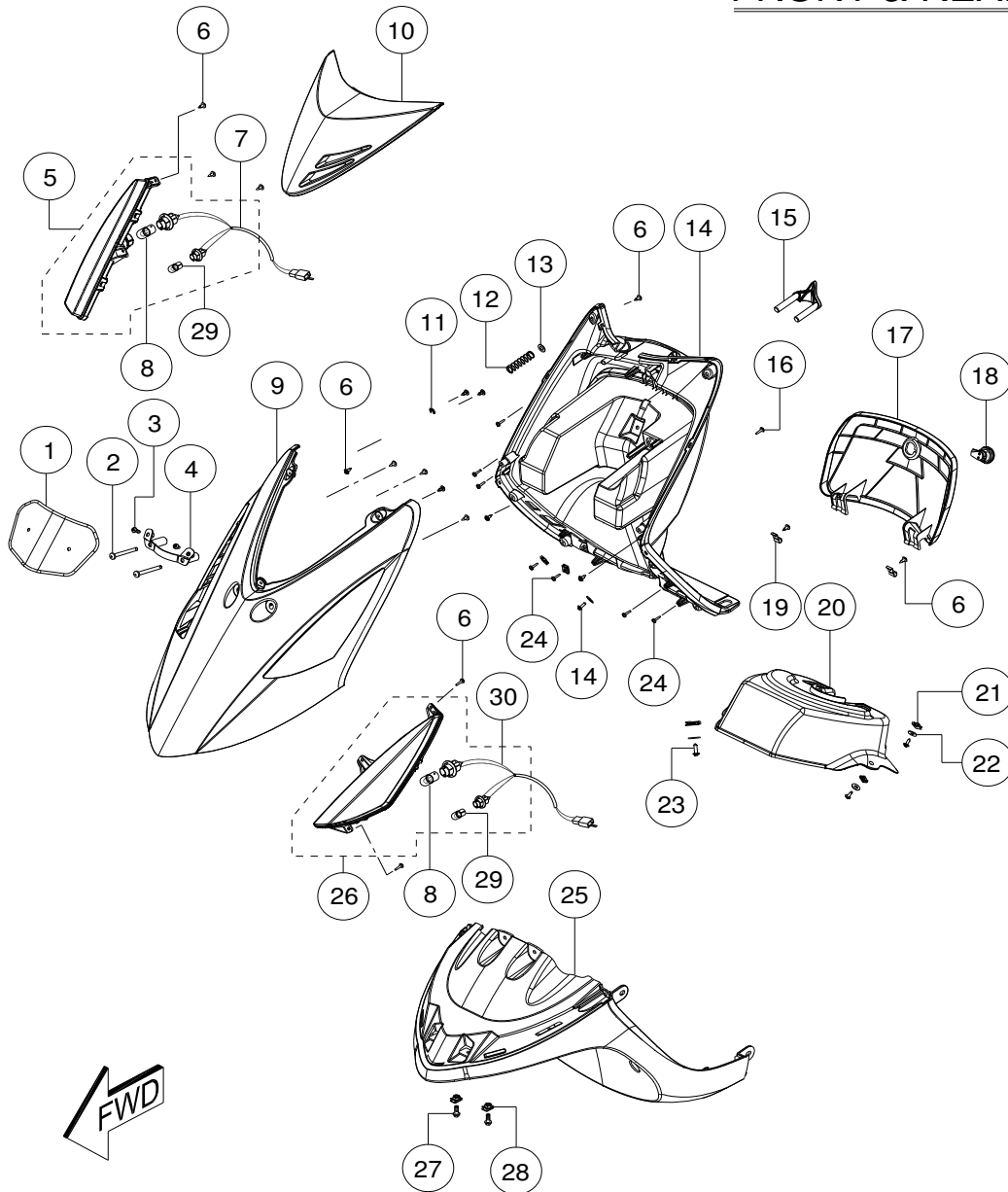
SPEEDOMETER ASSY.



SLNo.	PART No.	DESCRIPTION	QTY.	REMARKS
1	--	CRPH TAP SCREW	4	
2	K3220360	SPEEDOMETER ASSY.	1	
3	K3321450	TOP COVER SPEEDOMETER	1	SCREW TYPE
3A	K3321920	TOP COVER SPEEDOMETER	1	LOCKING TYPE
4	K200320	CRR PAN HD TAPSCR4.2x16	3	
5	N3160610	BULB CAPLESS 1.7W	4	
6	K3161280	CORD SET SPEEDOMETER	1	
7	K3170040	CABLE ASSY.SPEEDOMETER	1	
8	K3170080	SPEEDO CABLE INNER	1	
9	K3110700	O RING SPEEDO	1	
10	F200098	CRPH SCR M5x20	1	
11	0335608	PUNCHED WAS. 6.5x16x1.2	1	
12	K211020	SPEEDO CABLE GUIDE	1	

FIG.No. 23

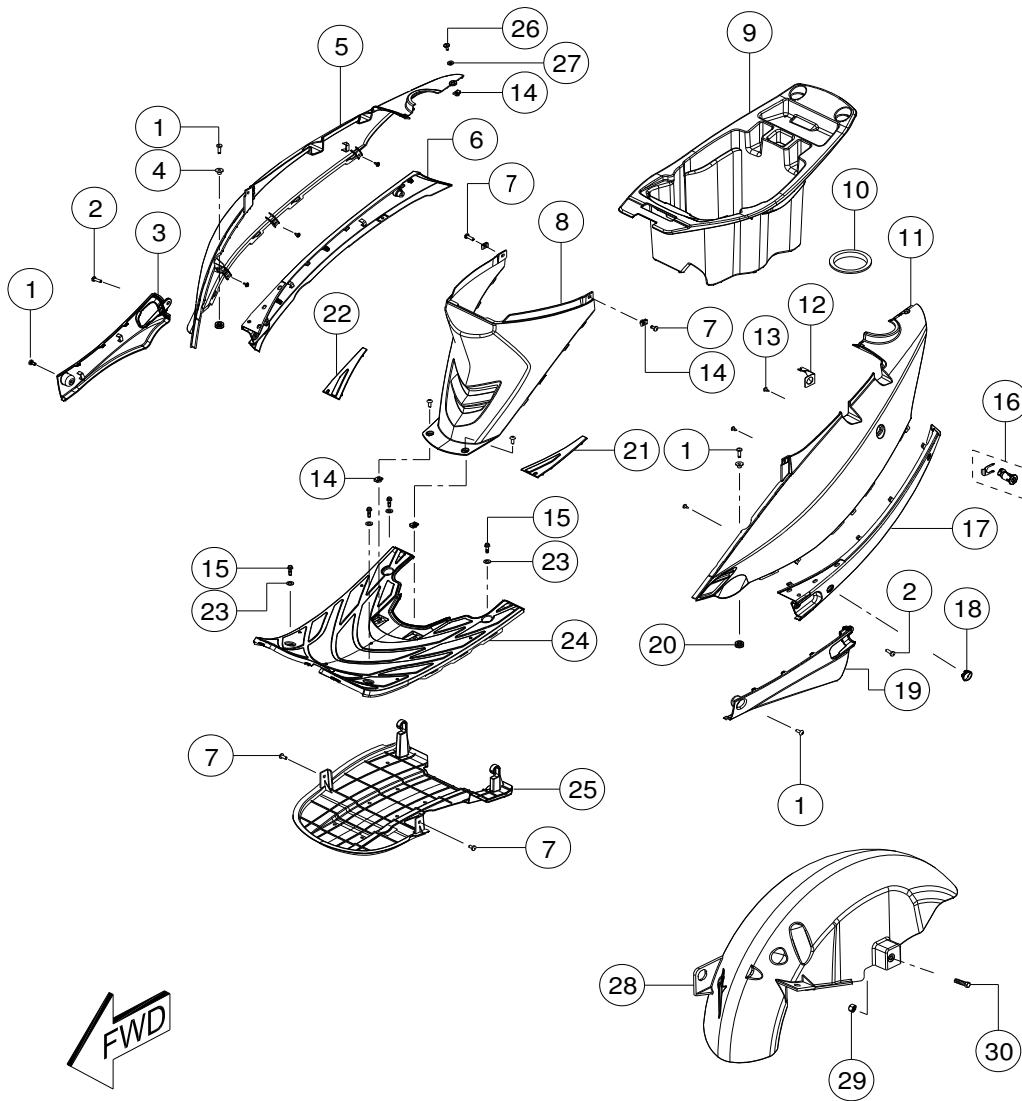
FRONT & REAR PANEL ASSEMBLY



SLNo.	PART No.	DESCRIPTION	QTY.	REMARKS
1	K3122890	LICENCE PLATE FRONT	1	
2	0332128	CRPH SCREW M6x60	2	
3	0331708	CRPH SCREW M5x12	2	
4	B4220360	BRKT COMP.LICENCE PLATE FRONT	1	
5	K3161200	TURN SIGNAL LAMP RH	1	
6	N3200340	CRR FL. PAN HEAD TAP SCREW	18	
7	K3161300	CORD SET TSL FRONT RH	1	
8	K3160450	BULB TSL	2	
9	---	PANEL FRONT +TAPE SET	1	REF. COLOUR MATRIX
10	---	PANEL TOP FRONT + TAPE SET	1	
11	M1200730	CIRCLIP 6.0x0.8	2	
12	K3220820	SPRING BAG HOOK	1	
13	0335516	WASHER	1	
14	K3220400	PANEL REAR	1	
15	K3220730	BAG HOOK COMP.	1	
16	0332275	SCREW CRPH M6x16	1	
17	K3220480	LID PANEL REAR	1	
18	N9212050	LOCK ASSY. COVER FRAME	1	
19	K3220500	HINGE LID PANEL REAR	2	
20	K3220490	MUDGUARD FRONT	1	
21	7130020	NUT SEAT TAIL COVER CENTER	3	
22	0335608	PUNCHED WASHER 6.5x16x1.2	3	
23	M1201000	SCREW	3	

FIG.No. 24

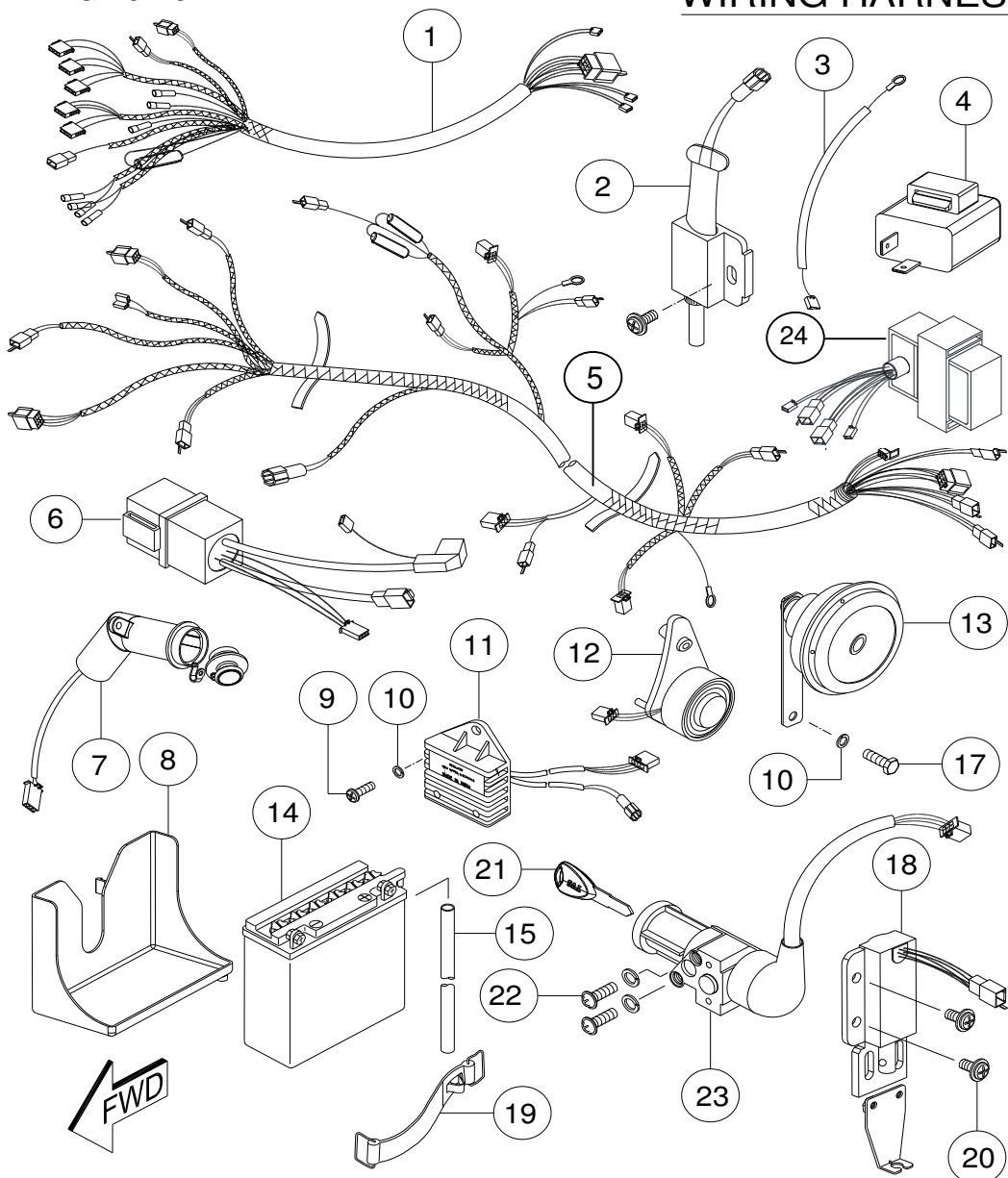
PANEL SIDE LH, RH & REAR MUDGUARD



SLNo.	PART No.	DESCRIPTION	QTY.	REMARKS
1	0332275	SCREW CRPH M6x16	8	
2	M1200670	CRPH SCREW M6x20	4	
3	--	SIDE PANEL BOTTOM RR RH	1	REF.COLOUR MATRIX
4	N8122610	CUP WASHER	1	
5	--	SIDE PANEL TOP RH	1	
6	--	SIDE PANEL BOTTOM RR RH	1	REF.COLOUR PAGE
7	P3200010	CRPH SCREW M6x12	2	
8	K3220460	COVER FRONT	1	
9	K3220470	UTILITY BOX	1	
10	K3220810	RING SIDE PANEL	1	
11	--	SIDE PANEL TOP LH	1	REF.COLOUR PAGE
12	K3122580	BRACKET SEAT LOCK	1	
13	N3200340	CRR FL.PAN HD TAP SCR.4.2x13	4	
14	K3200840	RETAINER CLIP NUT	5	
15	N2200490	HEX FL BOLT M6x20	2	
16	K3300030	SEAT LOCK	1	
17	--	SIDE PANEL BOTTOM RR LH	1	REF.COLOUR PAGE
18	K3220030	CAP SIDE COVER BOTTOM	1	
19	--	SIDE PANEL BOTTOM RR LH	1	REF.COLOUR PAGE
20	N3120130	GROMMET HEAD LAMP	2	
21	K3220700	PAD SIDE PANEL BOTTOM LH	1	
22	K3220710	PAD SIDE PANEL BOTTOM RH	1	
23	P1200020	PUNCHED WASHER 8.5x16x1.2	4	

FIG.No. 25

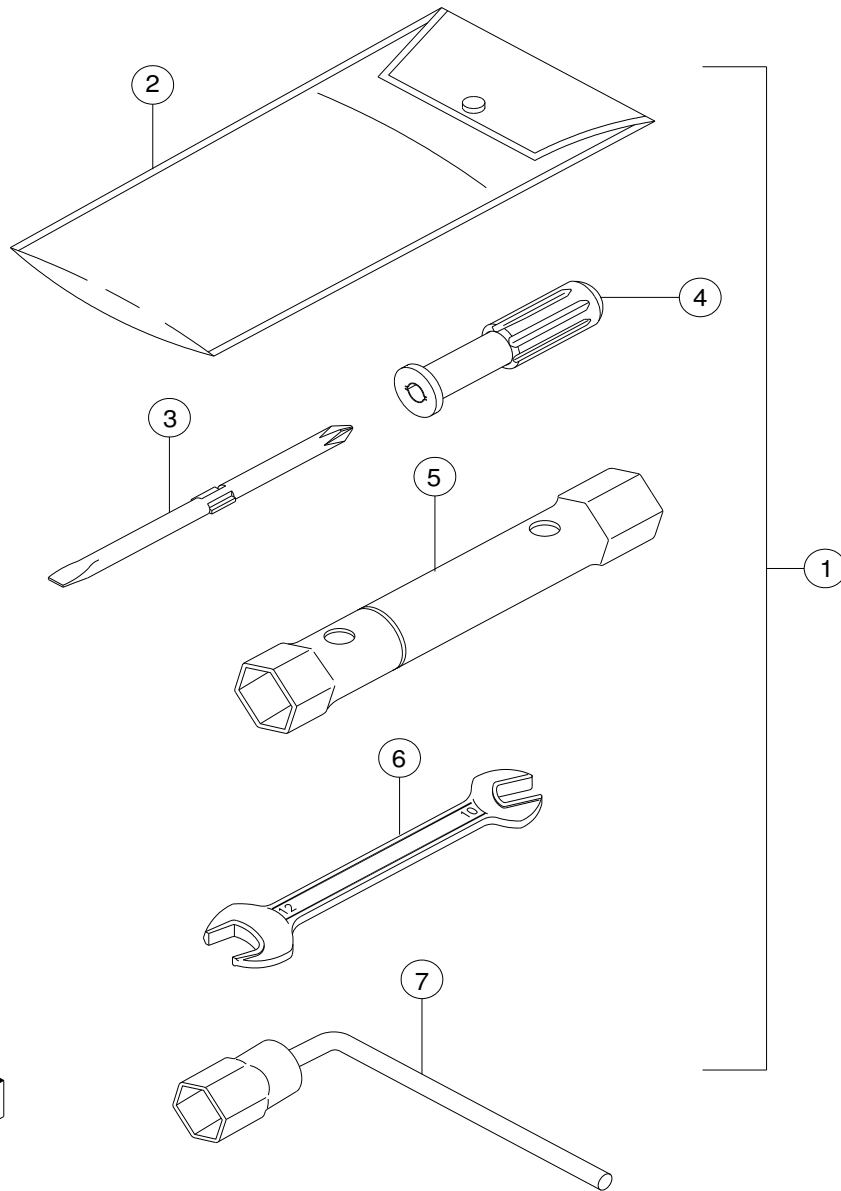
WIRING HARNESS & BATTERY ASSY.



SLNo.	PART No.	DESCRIPTION	QTY.	REMARKS
1	K3161250	CORD SET SWITCH	1	
2	K3160170	SIDE STAND SWITCH	1	
3	K3160710	SENSOR LEAD WIRE	1	
4	N9160380	ELECTRONIC FLASHER UNIT	1	
5	K3161240	WIRING HARNESS	1	
6	K3160690	STARTER RELAY	1	
7	K3160990	SOCKET MOBILE CHARGER	1	
8	K3121870	TRAY BATTERY	1	
9	0331748	CRR PAN HEAD SCREW M6x16	1	
10	0330408	WAVE SPRING WASHER M6	2	
11	K3060590	REGULATOR CUM RECTIFIER	1	
12	K3160190	BEEPER	1	
13	K3160270	HORN ASSY.	1	
14	K06012000	BATTERY 12V 5AH	1	
15	N3060110	BATTERY BREATHER HOSE	1	
16	K3212000	LOCK SET	1	N.I
17	P3200010	CRR PAN HEAD SCREW M6x12	1	
18	K3160230	THROTTLE SWITCH	1	
19	K211110	BAND HEADLAMP	1	
20	8200120	CRPH TAPPING SCREW M5x12	2	
21	K3212010	KEY BLANK	1	
22	0332238	REC CSK HD SCR M6x12	2	
23	K3161060	STEERING CUM IGN. LOCK(W RING)	1	
24	K3060470	COMBINED CDI TCU	1	

FIG.No. 26

TOOL KIT



SLNo.	PART No.	DESCRIPTION	QTY.	REMARKS
1	K3210040	TOOL KIT COMPLETE	1	
2	---	TOOL BAG	1	
3	---	BIT (+) (-)	1	
4	---	GRIP DRIVER	1	
5	---	BOX SPANNER 14x16	1	
6	---	SPANNER DIA 10x12	1	
7	---	BOX SPANNER 17	1	

SPECIAL TOOL

SLNo.	PART No.	DESCRIPTION	QTY.	REMARKS
1	K3310020	HOLDER PRIMARY SHEAVE	1	
2	K3310030	ADOPTER CLUTCH TOOL	1	
3	K3310040	HOLDER CLUTCH	1	
4	K3310060	TOOL FORK LEG REMOVAL	1	
5	K3310070	TOOL FORK LEG PISTON REMOVAL	1	
6	K3310080	TOOL CONE BOTTOM PRESSING	1	
7	K3310090	ASSY TOOL OIL SEAL FORK LEG	1	
8	K3310100	BOX SPANNER 16	1	
9	K3310120	STEERING NUT ADJUSTER	1	
10	K3310130	TOOL NUT CLUTCH SHOE	1	
11	K3310140	GUIDE BUSH STEERING CUPS	1	
12	K3310150	TOOL FRONT FORK LEG	1	
13	K3310160	MANDREL OILSEAL CRANKCASE RH	1	